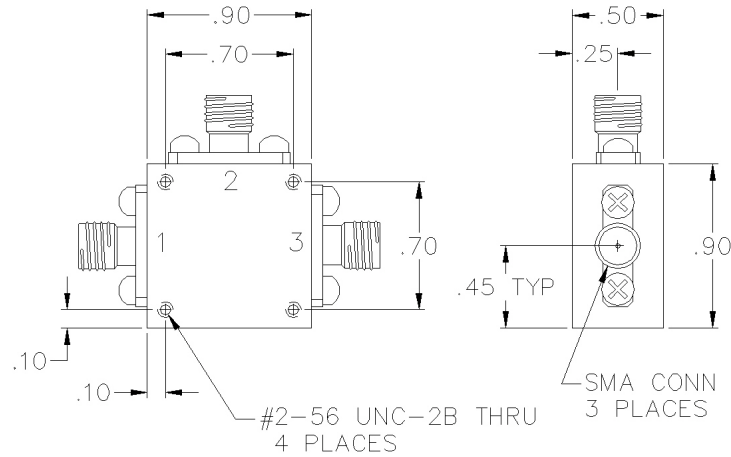


# XL-06-414

## AC COUPLED SMA HIGH IP3 MIXER



### SPECIFICATIONS

Name:	XL-06-414
Frequency Range:	
RF:	1-3500 MHz
LO:	1-3500 MHz
IF:	1-2000 MHz
LO Power:	+10 dBm
Conversion Loss:	8.5 dB max.
IP3:	
Typ:	+15 dBm
Min:	+12 dBm
Isolation:	
LO/RF:	25 dB min.
LO/IF:	20 dB min.
Connector Type:	SMA

### PORT CONFIGURATION

RF:	1
LO:	3
IF:	2
Ground:	Housing

This is a commercial off the shelf (COTS) product.

For an equivalent product that meets DFARS materials compliance, contact sales.

All specifications are subject to change without notice at any time. Rev: 220627