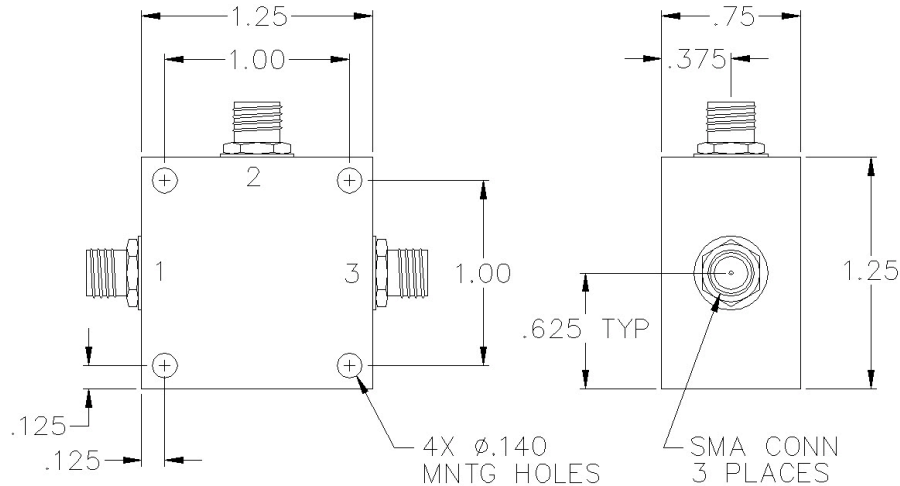


# X2T-06-411

## DC COUPLED DOUBLE BALANCED MIXER



### SPECIFICATIONS

|                         |             |
|-------------------------|-------------|
| Name:                   | X2T-06-411  |
| Frequency Range:        |             |
| LO/RF:                  | 1-1000 MHz  |
| IF:                     | DC-1000 MHz |
| LO Drive:               | +13 dBm     |
| Conversion Loss:        | 8.5 dB max. |
| 1 dB Compression Point: | +1 dBm typ. |
| Isolation:              |             |
| L/R:                    | 20 dB min.  |
| L/I:                    | 20 dB min.  |
| Connector Type:         | SMA         |

### PORT CONFIGURATION

|         |         |
|---------|---------|
| RF:     | 1       |
| LO:     | 3       |
| IF:     | 2       |
| Ground: | Housing |

IF polarity is negative for DC coupled mixers.

This is a commercial off the shelf (COTS) product.  
For an equivalent product that meets DFARS materials compliance, contact sales.  
All specifications are subject to change without notice at any time. Rev: 250614

