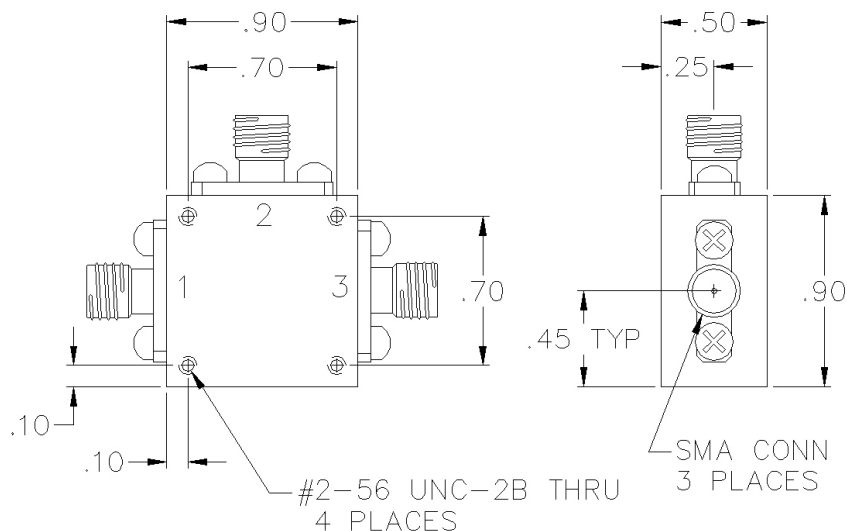


X2M-04-414

DC COUPLED SMA DOUBLE BALANCED MIXER



SPECIFICATIONS

| | |
|-------------------------|--------------|
| Name: | X2M-04-414 |
| Frequency Range: | |
| LO/RF: | 0.1-750 MHz |
| IF: | DC-750 MHz |
| LO Drive: | +17 dBm |
| Conversion Loss: | 8.0 dB max. |
| 1 dB Compression Point: | +10 dBm typ. |
| Isolation: | |
| L/R: | 25 dB min. |
| L/I: | 20 dB min. |
| Connector Type: | SMA |

PORT CONFIGURATION

| | |
|---------|---------|
| RF: | 1 |
| LO: | 3 |
| IF: | 2 |
| Ground: | Housing |

IF polarity is negative for DC coupled mixers.

This is a commercial off the shelf (COTS) product.

For an equivalent product that meets DFARS materials compliance, contact sales.

All specifications are subject to change without notice at any time. Rev: 220627

www.pulsarmicrowave.com · 48 Industrial St West, Clifton NJ 07012 · Tel: 973-779-6262 · Fax: 973-779-2727 · sales@pulsarmicrowave.com

PULSAR
MICROWAVE CORPORATION