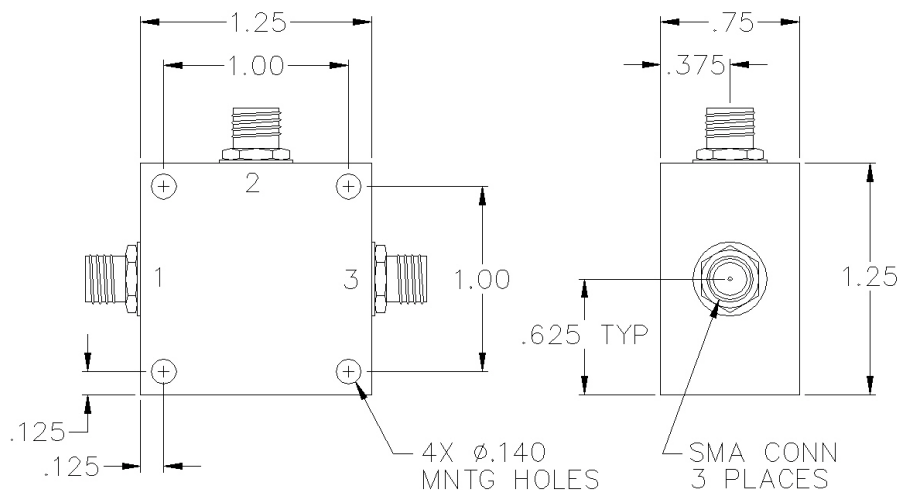


X2L-08-411

DC COUPLED SMA DOUBLE BALANCED MIXER



SPECIFICATIONS

| | |
|-------------------------|-------------|
| Name: | X2L-08-411 |
| Frequency Range: | |
| LO/RF: | 10-1500 MHz |
| IF: | DC-1000 MHz |
| LO Drive: | +7 dBm |
| Conversion Loss: | 8.5 dB max. |
| 1 dB Compression Point: | +1 dBm typ. |
| Isolation: | |
| L/R: | 25 dB min. |
| L/I: | 20 dB min. |
| Connector Type: | SMA |

PORT CONFIGURATION

| | |
|---------|---------|
| RF: | 1 |
| LO: | 3 |
| IF: | 2 |
| Ground: | Housing |

IF polarity is negative for DC coupled mixers.

This is a commercial off the shelf (COTS) product.

For an equivalent product that meets DFARS materials compliance, contact sales.

All specifications are subject to change without notice at any time. Rev: 220628