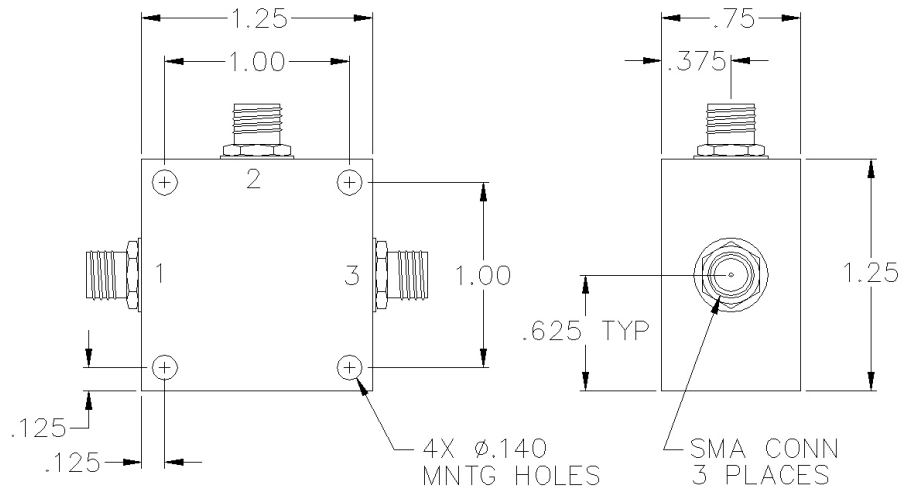


# X2L-02-411

## DC COUPLED SMA DOUBLE BALANCED MIXER



### SPECIFICATIONS

Name:	X2L-02-411
Frequency Range:	
LO/RF:	0.01-125 MHz
IF:	DC-125 MHz
LO Drive:	+7 dBm
Conversion Loss:	6.0 dB max.
1 dB Compression Point:	+1 dBm typ.
Isolation:	
L/R:	40 dB min.
L/I:	35 dB min.
Connector Type:	SMA

### PORT CONFIGURATION

RF:	1
LO:	3
IF:	2
Ground:	Housing

IF polarity is negative for DC coupled mixers.

This is a commercial off the shelf (COTS) product.

For an equivalent product that meets DFARS materials compliance, contact sales.

All specifications are subject to change without notice at any time. Rev: 220628