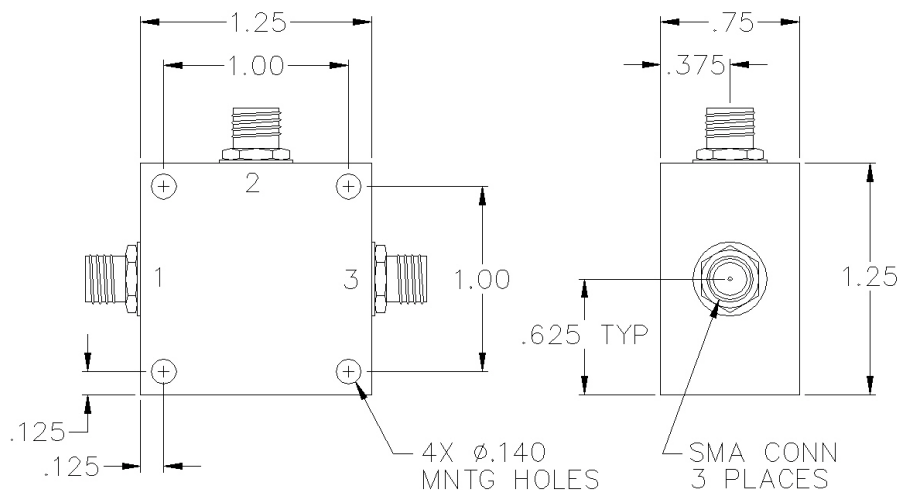


X1V-10-411

AC COUPLED SMA TRIPLE BALANCED MIXER



SPECIFICATIONS

Name:	X1V-10-411
Frequency Range:	
LO/RF:	5-3000 MHz
IF:	5-2000 MHz
LO Drive:	+27 dBm
Conversion Loss:	8.5 dB max.
1 dB Compression Point:	+20 dBm typ.
Isolation:	
L/R:	25 dB min.
L/I:	25 dB min.
Connector Type:	SMA

PORT CONFIGURATION

RF:	1
LO:	3
IF:	2
Ground:	Housing

SMA female connectors standard, also available with BNC, TNC, F, and N connectors.

This is a commercial off the shelf (COTS) product.

For an equivalent product that meets DFARS materials compliance, contact sales.

All specifications are subject to change without notice at any time. Rev: 220628