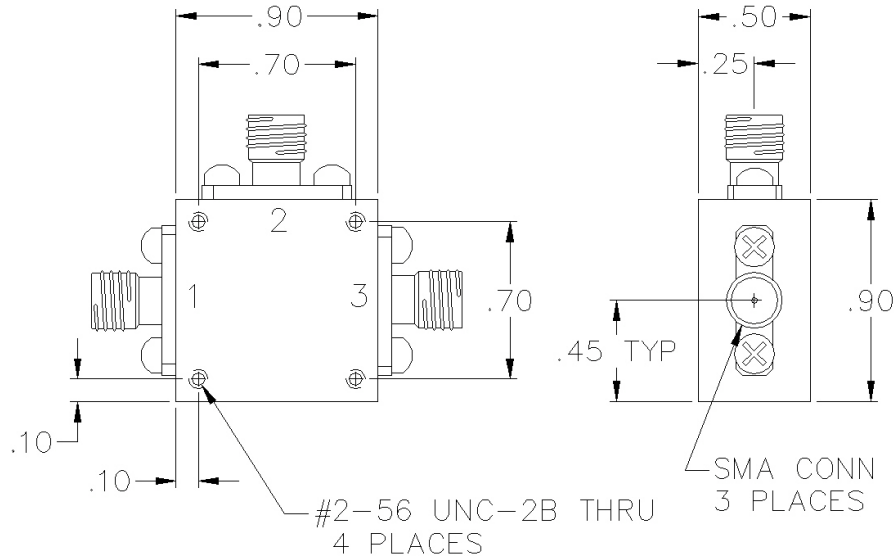


X1M-01-414

AC COUPLED SMA TRIPLE BALANCED MIXER



SPECIFICATIONS

Name:	X1M-01-414
Frequency Range:	
LO/RF:	0.05-250 MHz
IF:	0.05-250 MHz
LO Drive:	+17 dBm
Conversion Loss:	7.0 dB max.
1 dB Compression Point:	+10 dBm typ.
Isolation:	
L/R:	40 dB min.
L/I:	30 dB min.
Connector Type:	SMA

PORT CONFIGURATION

RF:	1
LO:	3
IF:	2
Ground:	Housing

This is a commercial off the shelf (COTS) product.

For an equivalent product that meets DFARS materials compliance, contact sales.

All specifications are subject to change without notice at any time. Rev: 220627