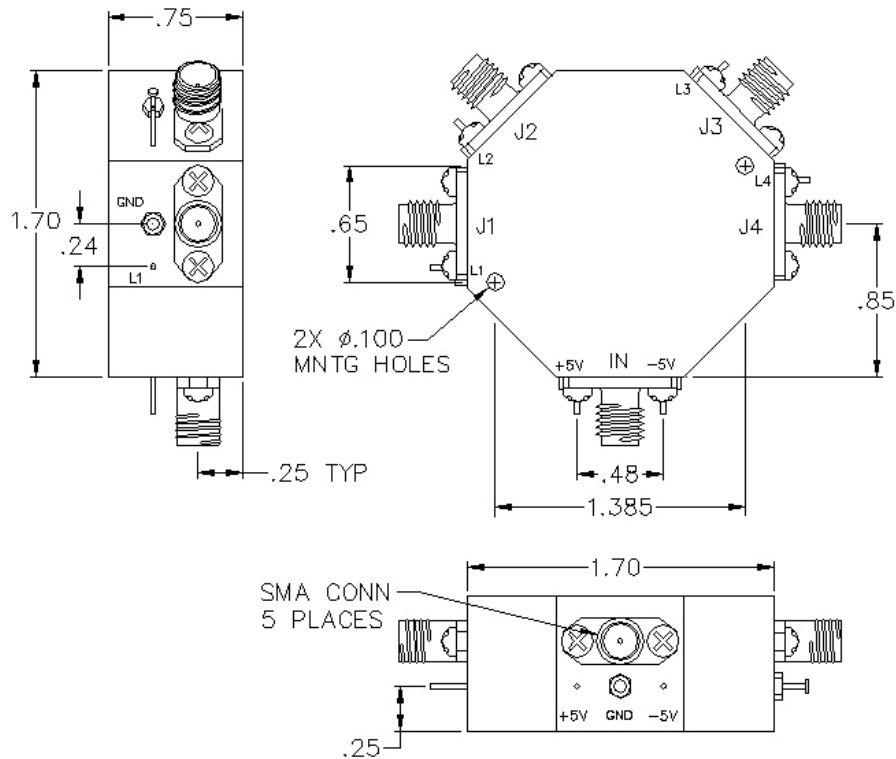
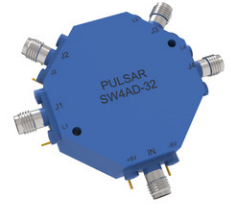


SW4AD-32

SMA SWITCH



SPECIFICATIONS

Name:	SW4AD-32
Input Frequency Range:	2-8 GHz
Switch Type:	SP4T
Insertion Loss:	3.4 dB max.
Input Power:	200 mw / 23 dBm
Isolation:	55 dB min.
VSWR:	1.60:1
Switching Time:	100 nsec
Connector Type:	SMA

TTL CONTROL LOGIC

L1	L2	L3	L4	IN-J1	IN-J2	IN-J3	IN-J4
0	1	1	1	Loss	Isolation	Isolation	Isolation
1	0	1	1	Isolation	Loss	Isolation	Isolation
1	1	0	1	Isolation	Isolation	Loss	Isolation
1	1	1	0	Isolation	Isolation	Isolation	Loss

This is a commercial off the shelf (COTS) product.

For an equivalent product that meets DFARS materials compliance, contact sales.

All specifications are subject to change without notice at any time. Rev: 250512

www.pulsarmicrowave.com · 48 Industrial St West, Clifton NJ 07012 · Tel: 973-779-6262 · Fax: 973-779-2727 · sales@pulsarmicrowave.com

PULSAR
MICROWAVE CORPORATION