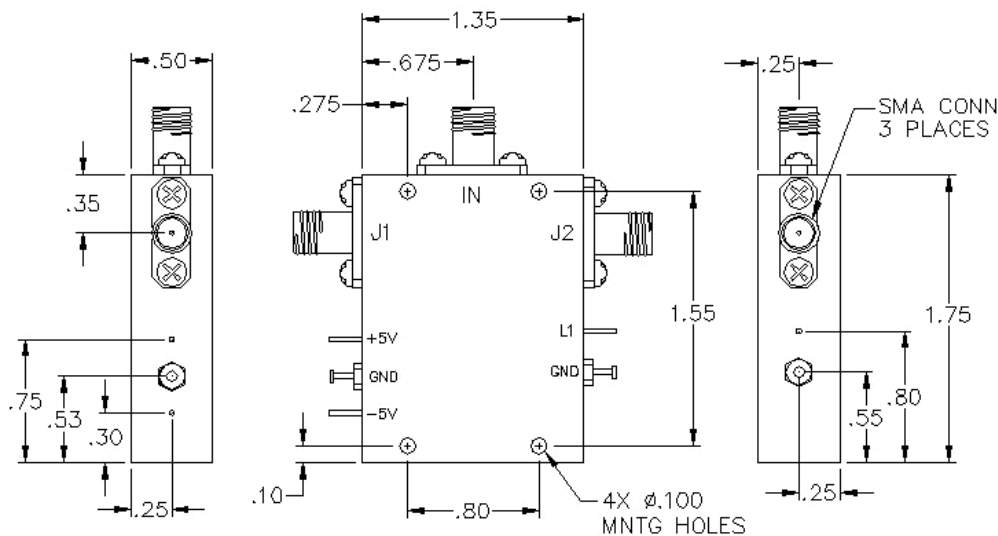
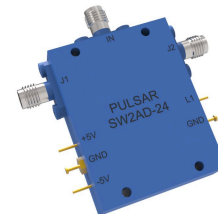


SW2AD-24

SPDT ABSORPTIVE PIN DIODE SWITCH



SPECIFICATIONS

Name:	SW2AD-24
Input Frequency Range:	0.02-1.2 GHz
Switch Type:	SP2T
Insertion Loss:	2.0 dB max.
Input Power:	200 mw / 23 dBm
Isolation:	70 dB min.
VSWR:	1.50:1
Switching Time:	100 nsec
Connector Type:	SMA

TTL CONTROL LOGIC

L1	IN-J1	IN-J2
0	Insertion Loss	Isolation
1	Isolation	Insertion Loss

This is a commercial off the shelf (COTS) product.

For an equivalent product that meets DFARS materials compliance, contact sales.

All specifications are subject to change without notice at any time. Rev: 250614