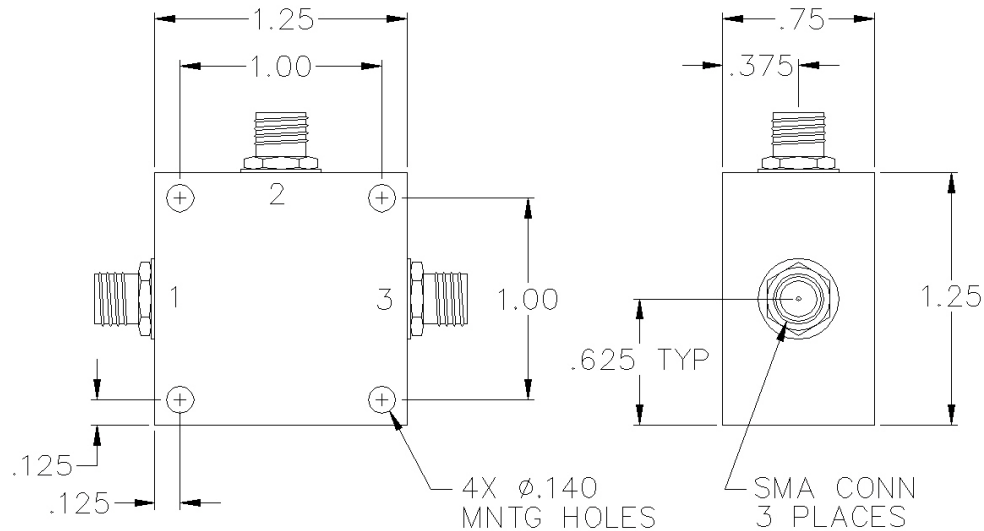


# ST-24-411

## SMA ANALOG PHASE SHIFTER



## SPECIFICATIONS

Name:	ST-24-411
Frequency Range:	3000-3200 MHz
Insertion Loss:	3.0 dB max.
Phase Shift:	90° min.
Control Voltage:	0-5 Volts
VSWR:	1.70:1 max.
Package Type:	SMA

Maximum input power is +5 dBm.  
Other frequencies, phase shift ranges, and control voltages available.

## PORT CONFIGURATION

Input:	1
Output:	3
Control:	2
Ground:	Housing

This is a commercial off the shelf (COTS) product.  
For an equivalent product that meets DFARS materials compliance, contact sales.  
All specifications are subject to change without notice at any time. Rev: 220628