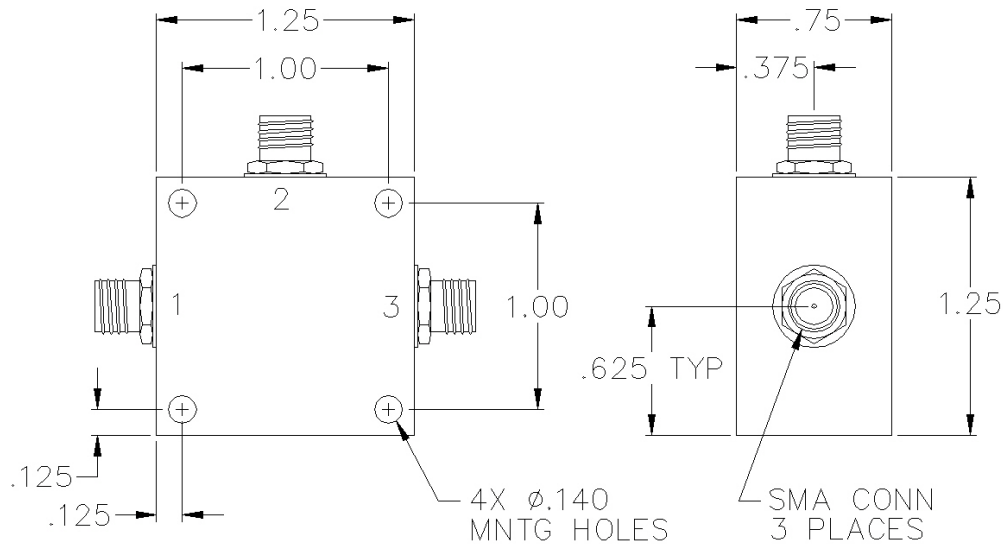
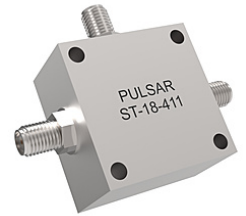


ST-18-411

SMA ANALOG PHASE SHIFTER



SPECIFICATIONS

Name:	ST-18-411
Frequency Range:	9.8-10.2 MHz
Insertion Loss:	3.0 dB max.
Phase Shift:	360° min.
Control Voltage:	0-10 Volts
VSWR:	1.70:1 max.
Package Type:	SMA

PORT CONFIGURATION

Input:	1
Output:	3
Control:	2
Ground:	Housing

Maximum input power is +5 dBm.
Other frequencies, phase shift ranges, and control voltages available.