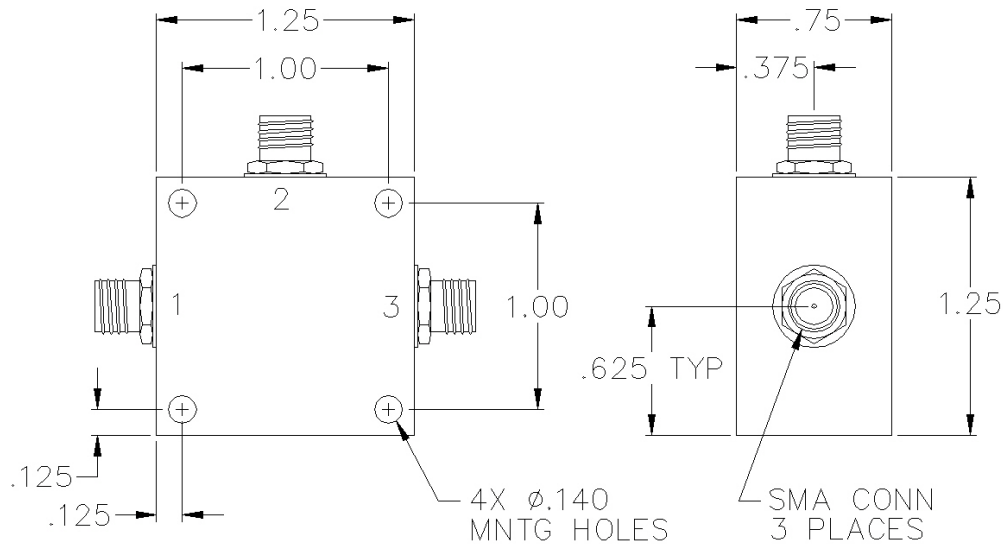
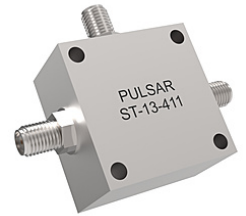


ST-13-411

SMA ANALOG PHASE SHIFTER



SPECIFICATIONS

Name:	ST-13-411
Frequency Range:	935-960 MHz
Insertion Loss:	2.2 dB max.
Phase Shift:	180° min.
Control Voltage:	0-30 Volts
VSWR:	1.70:1 max.
Package Type:	SMA

PORT CONFIGURATION

Input:	1
Output:	3
Control:	2
Ground:	Housing

Maximum input power is +5 dBm.
Other frequencies, phase shift ranges, and control voltages available.