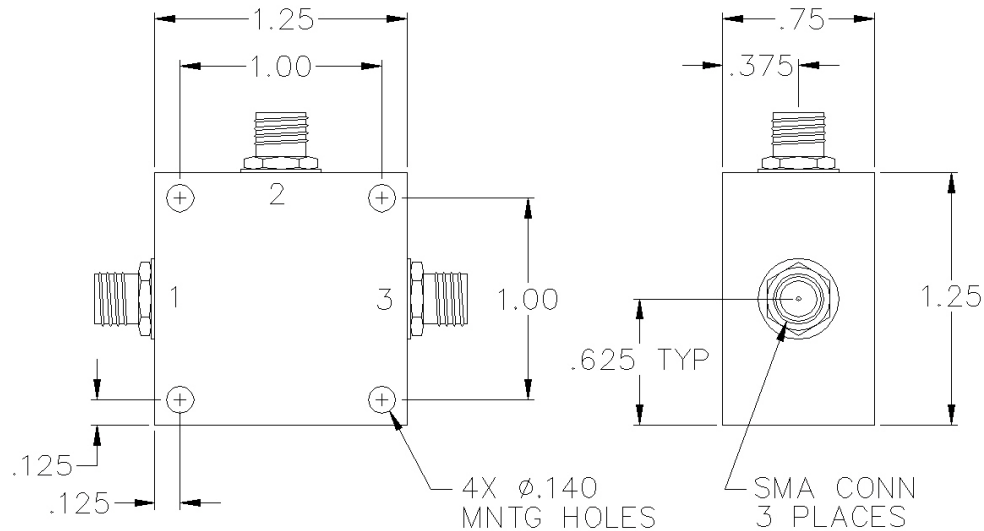


# ST-05-411

## SMA ANALOG PHASE SHIFTER



## SPECIFICATIONS

Name:	ST-05-411
Frequency Range:	66.5-73.5 MHz
Insertion Loss:	1.3 dB max.
Phase Shift:	180° min.
Control Voltage:	0-30 Volts
VSWR:	1.70:1 max.
Package Type:	SMA

## PORT CONFIGURATION

Input:	1
Output:	3
Control:	2
Ground:	Housing

Maximum input power is +5 dBm.  
Other frequencies, phase shift ranges, and control voltages available.

This is a commercial off the shelf (COTS) product.  
For an equivalent product that meets DFARS materials compliance, contact sales.  
All specifications are subject to change without notice at any time. Rev: 220628

www.pulsarmicrowave.com · 48 Industrial St West, Clifton NJ 07012 · Tel: 973-779-6262 · Fax: 973-779-2727 · sales@pulsarmicrowave.com

**PULSAR**  
MICROWAVE CORPORATION