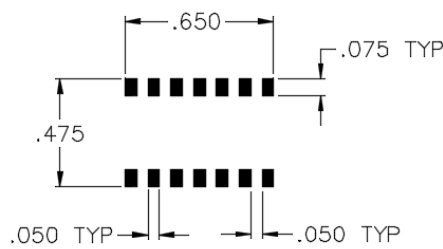
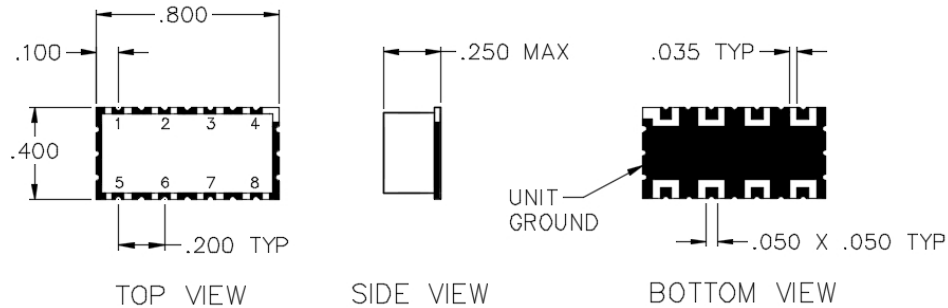
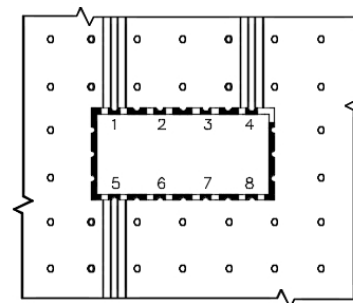


# ST-01-E

## SURFACE MOUNT ANALOG PHASE SHIFTER



PCB PAD PATTERN  
E-PHASE SHIFTER



TYPICAL APPLICATION  
ALL NON-USED PORTS AND UNIT GROUND  
SHALL BE GROUND TO THE MAIN BOARD

## SPECIFICATIONS

|                  |               |
|------------------|---------------|
| Name:            | ST-01-E       |
| Frequency Range: | 10.2-11.3 MHz |
| Insertion Loss:  | 1.3 dB max.   |
| Phase Shift:     | 180° min.     |
| Control Voltage: | 0-30 Volts    |
| VSWR:            | 1.70:1 max.   |
| Package Type:    | Surface       |

## PORT CONFIGURATION

|          |            |
|----------|------------|
| Input:   | 5          |
| Output:  | 1          |
| Control: | 4          |
| Ground:  | All Others |

Maximum input power is +5 dBm.  
Other frequencies, phase shift ranges, and control voltages available.

This is a commercial off the shelf (COTS) product.  
For an equivalent product that meets DFARS materials compliance, contact sales.  
All specifications are subject to change without notice at any time. Rev: 160203