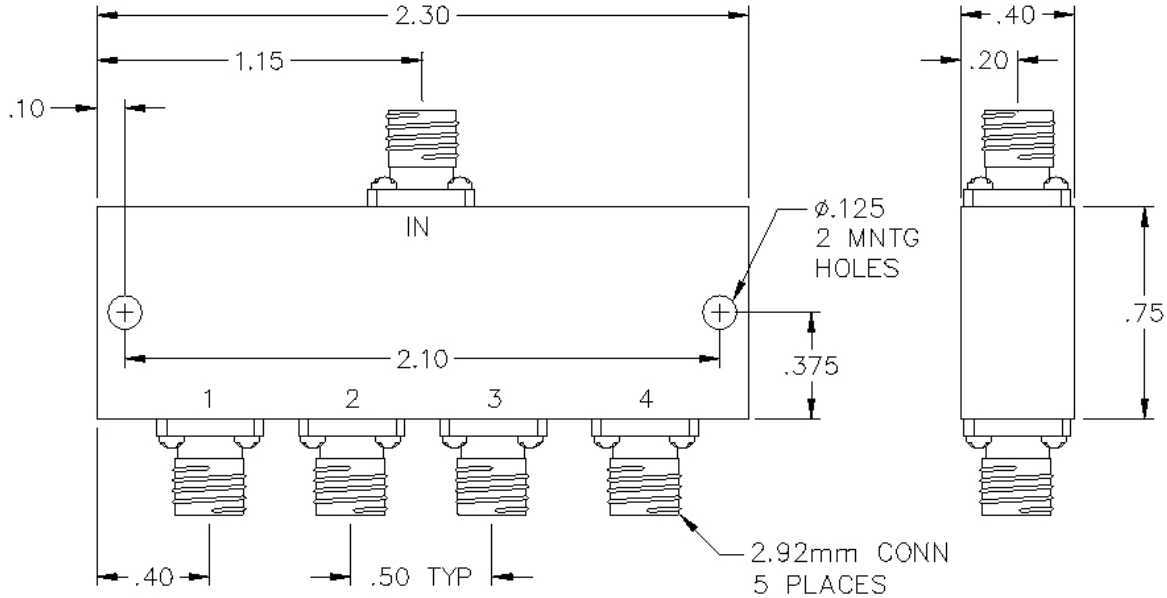
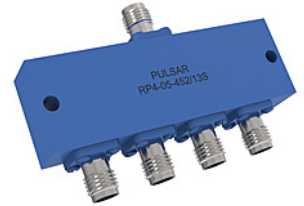


RP4-05-452/13S

4-WAY 2.92MM RESISTIVE POWER DIVIDER



SPECIFICATIONS

Name:	RP4-05-452/13S
Frequency Range:	DC-27 GHz
Insertion Loss:	3.5 dB max.
Amplitude Balance:	0.6 dB max.
Phase Balance:	12° max.
VSWR:	1.60:1 max.
Input Power:	0.5 watts max.
Connector Type:	2.92

Insertion Loss does not include 12 dB theoretical loss.

PORT CONFIGURATION

Input:	IN
Outputs:	1, 2, 3, 4

This is a commercial off the shelf (COTS) product.
For an equivalent product that meets DFARS materials compliance, contact sales.
All specifications are subject to change without notice at any time. Rev: 191001