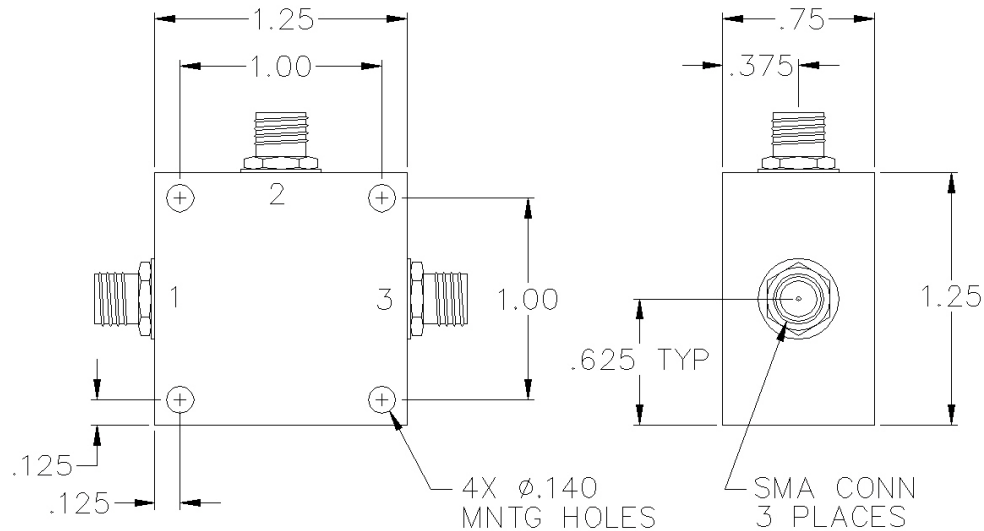


RP2-05-411

2-WAY SMA RESISTIVE POWER DIVIDER



SPECIFICATIONS

Name:	RP2-05-411
Frequency Range:	DC-4 GHz
Insertion Loss:	1.5 dB max.
Amplitude Balance:	0.5 dB max.
Phase Balance:	5° max.
VSWR:	1.50:1 max.
Input Power:	5.0 watts max.
Connector Type:	SMA

Insertion Loss does not include 6 dB theoretical loss.

PORT CONFIGURATION

Input:	2
Outputs:	1, 3

This is a commercial off the shelf (COTS) product.

For an equivalent product that meets DFARS materials compliance, contact sales.

All specifications are subject to change without notice at any time. Rev: 220628