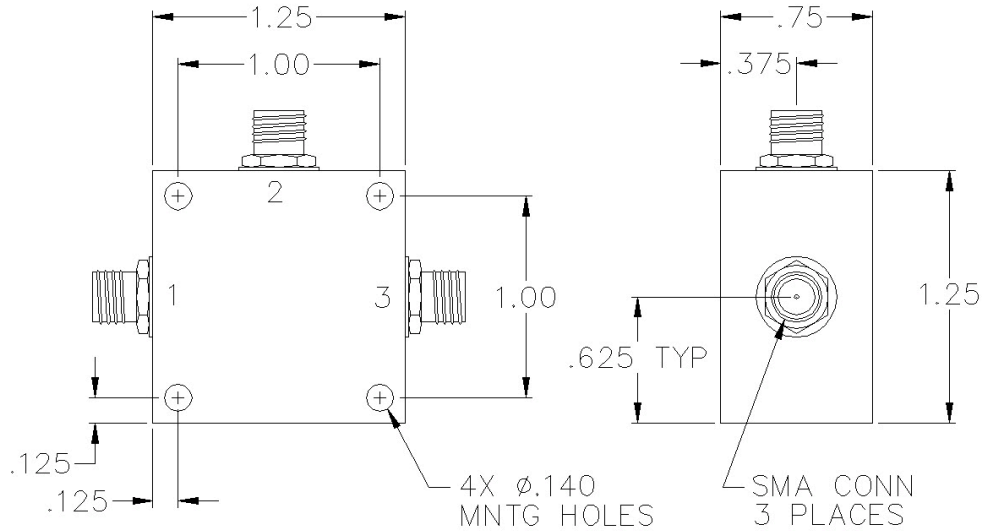


RP2-02-411

2-WAY RESISTIVE POWER DIVIDER



SPECIFICATIONS

Name:	RP2-02-411
Frequency Range:	DC-4 GHz
Insertion Loss:	0.5 dB max.
Amplitude Balance:	0.4 dB max.
Phase Balance:	3° max.
VSWR:	1.40:1 max.
Input Power:	0.5 watts max.
Connector Type:	SMA

PORT CONFIGURATION

Input:	2
Outputs:	1, 3

Insertion Loss does not include 6 dB theoretical loss.

This is a commercial off the shelf (COTS) product.
For an equivalent product that meets DFARS materials compliance, contact sales.
All specifications are subject to change without notice at any time. Rev: 250614

