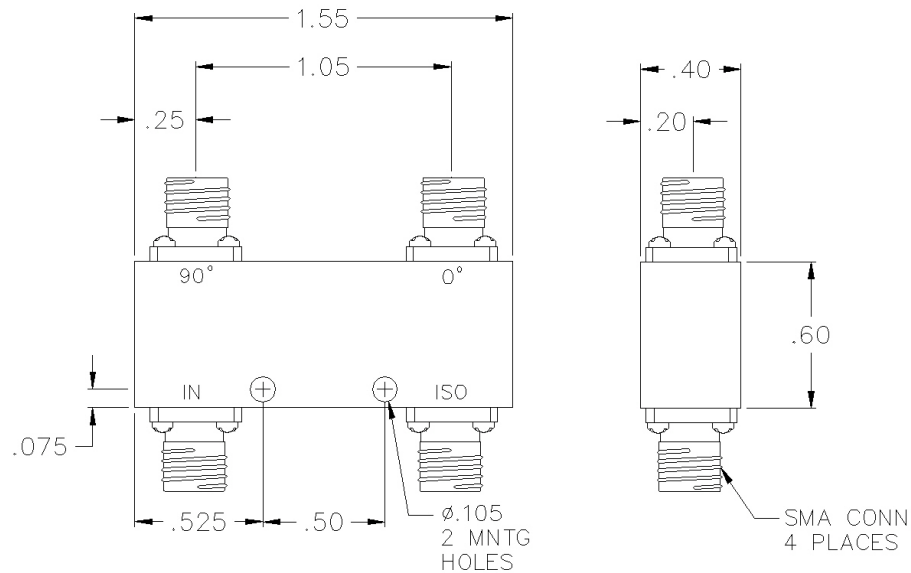


# QS2-07-464/4S

## 3 DB SMA 90° HYBRID COUPLER



## SPECIFICATIONS

Name:	QS2-07-464/4S
Bandwidth:	4.5:1
Frequency Range:	4-18 GHz
Coupling Loss:	3.5 $\pm$ 0.8 dB max.
Isolation:	15 dB min.
Amplitude Balance:	1.6 dB max.
Phase Balance:	$\pm$ 8° max.
VSWR:	1.50:1 max.
Package Type:	SMA

This is a commercial off the shelf (COTS) product.  
For an equivalent product that meets DFARS materials compliance, contact sales.  
All specifications are subject to change without notice at any time. Rev: 190404