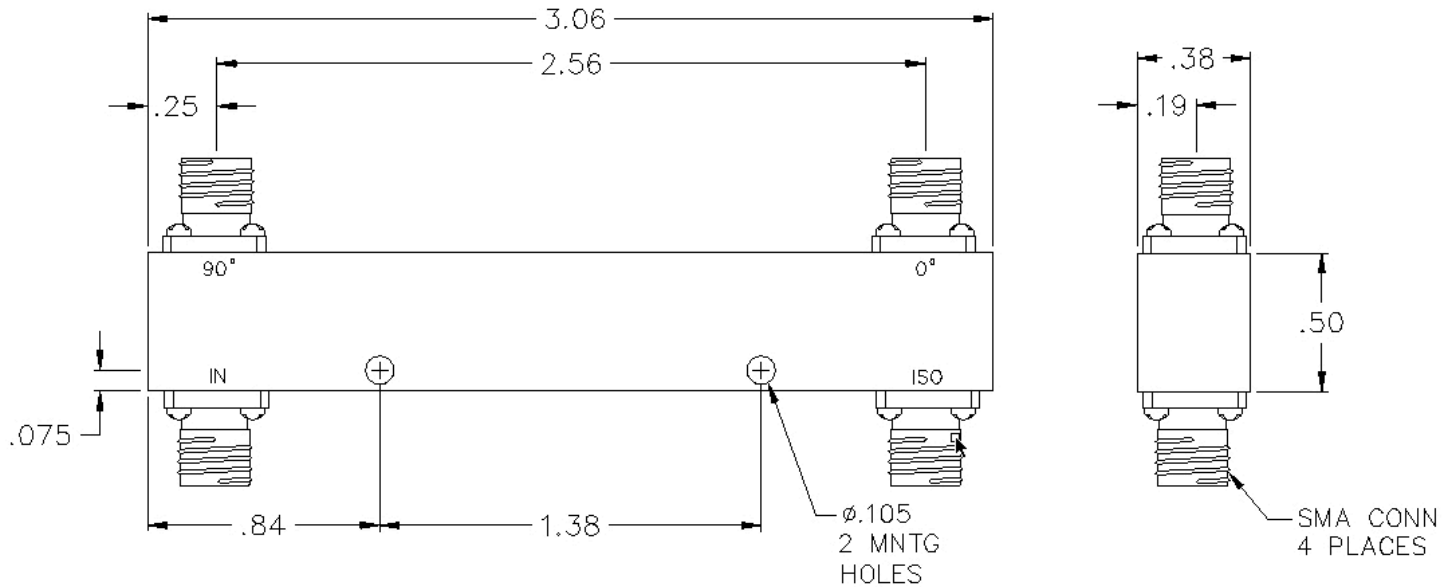


QS2-01-464/1S

3 DB 90° HYBRID COUPLER



SPECIFICATIONS

Name:	QS2-01-464/1S
Bandwidth:	2:1
Frequency Range:	0.5-1 GHz
Coupling Loss:	3.2 ± 0.3 dB max.
Isolation:	28 dB min.
Amplitude Balance:	1.2 dB max.
Phase Balance:	± 3° max.
VSWR:	1.15:1 max.
Package Type:	SMA

This is a commercial off the shelf (COTS) product.

For an equivalent product that meets DFARS materials compliance, contact sales.

All specifications are subject to change without notice at any time. Rev: 250614