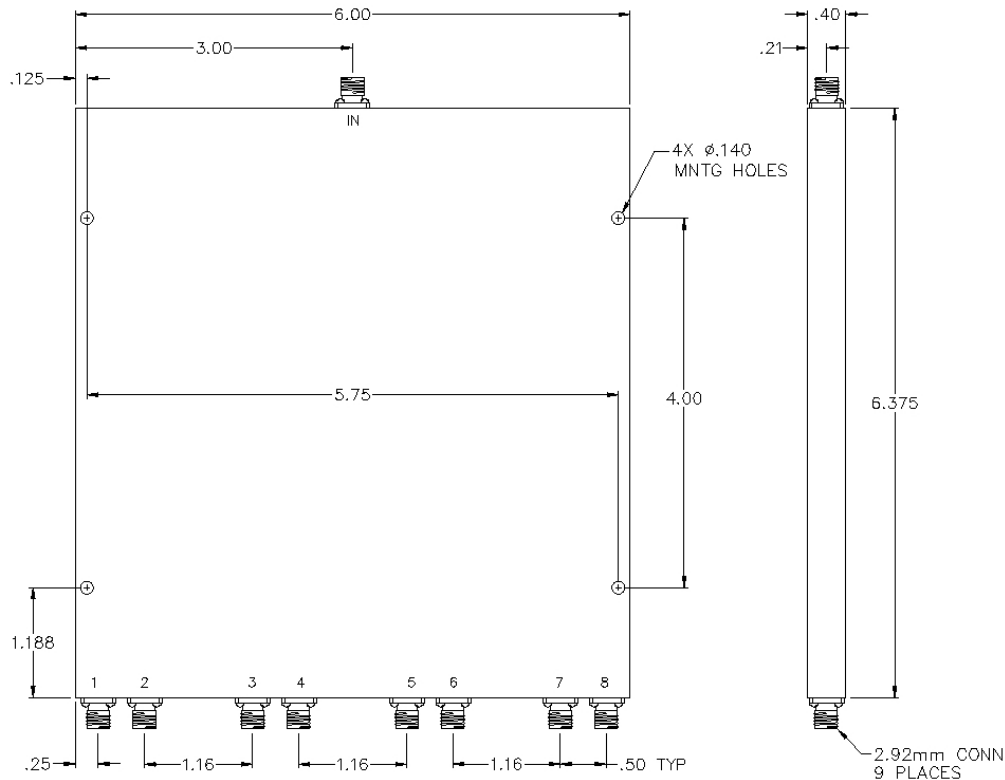
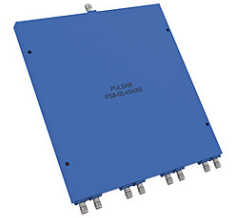


PS8-55-454/8S

8-WAY 2.92MM POWER DIVIDER



SPECIFICATIONS

Name:	PS8-55-454/8S
Frequency Range:	1-40 GHz
Insertion Loss:	7.0 dB max.
Isolation:	9 dB min.
Amplitude Balance:	0.8 dB max.
Phase Balance:	16° max.
VSWR:	1.90:1 max.
Input Power:	30 watts max.
Connector Type:	2.92

Input power is specified for load VSWR better than 1.20:1.
BNC, TNC, and F connectors and other frequency ranges also available, contact sales.

This is a commercial off the shelf (COTS) product.
For an equivalent product that meets DFARS materials compliance, contact sales.
All specifications are subject to change without notice at any time. Rev: 190221