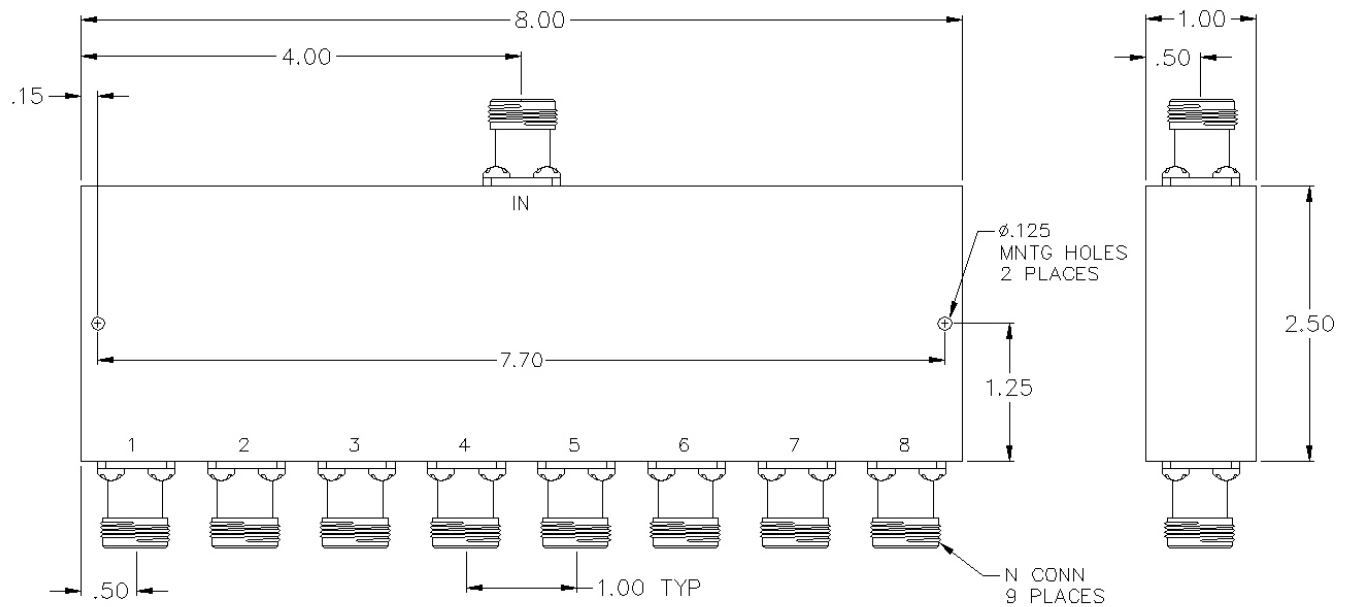


PS8-09-454/4N

8-WAY TYPE N POWER DIVIDER



SPECIFICATIONS

Name:	PS8-09-454/4N
Frequency Range:	4-8 GHz
Insertion Loss:	1.4 dB max.
Isolation:	16 dB min.
Amplitude Balance:	0.6 dB max.
Phase Balance:	10° max.
VSWR:	1.60:1 max.
Input Power:	30 watts max.
Connector Type:	N

Input power is specified for load VSWR better than 1.20:1.
BNC, TNC, and F connectors and other frequency ranges also available, contact sales.

This is a commercial off the shelf (COTS) product.
For an equivalent product that meets DFARS materials compliance, contact sales.
All specifications are subject to change without notice at any time. Rev: 190326

www.pulsarmicrowave.com · 48 Industrial St West, Clifton NJ 07012 · Tel: 973-779-6262 · Fax: 973-779-2727 · sales@pulsarmicrowave.com

PULSAR
MICROWAVE CORPORATION