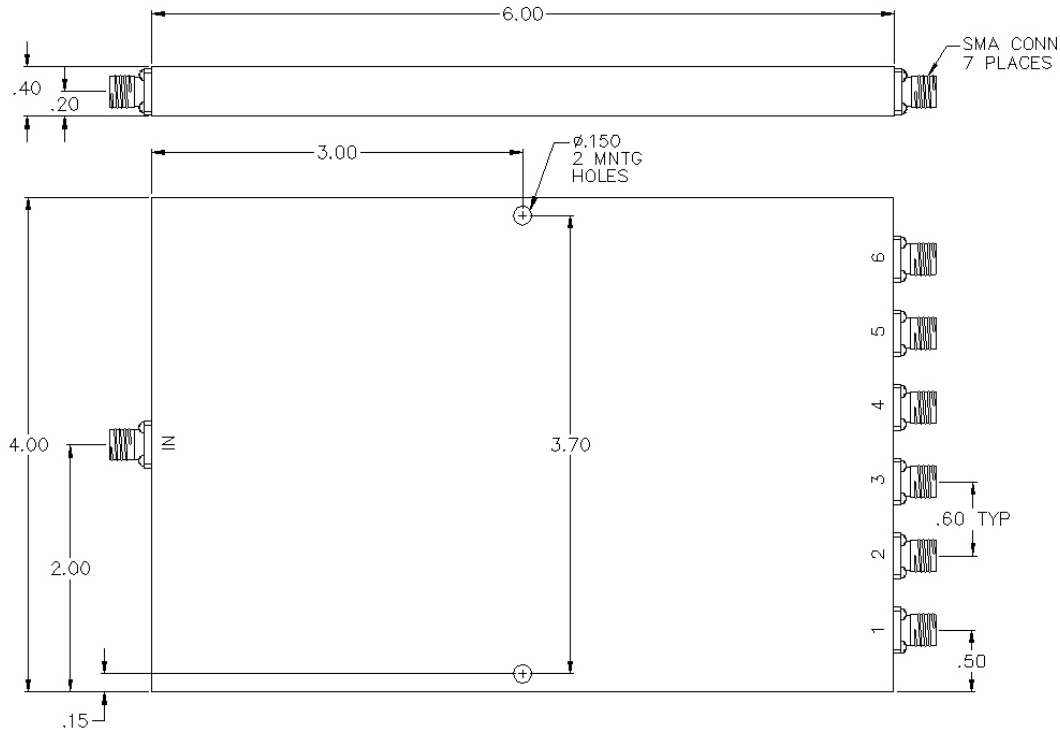


PS6-49-434/4S

6-WAY SMA POWER DIVIDER



SPECIFICATIONS

Name:	PS6-49-434/4S
Frequency Range:	2-18 GHz
Insertion Loss:	2.5 dB max.
Isolation:	15 dB min.
Amplitude Balance:	0.8 dB max.
Phase Balance:	10° max.
VSWR:	2.00:1 max.
Input Power:	30 watts max.
Connector Type:	SMA

Input power is specified for load VSWR better than 1.20:1.
BNC, TNC, and F connectors and other frequency ranges also available, contact sales.

This is a commercial off the shelf (COTS) product.
For an equivalent product that meets DFARS materials compliance, contact sales.
All specifications are subject to change without notice at any time. Rev: 190326

