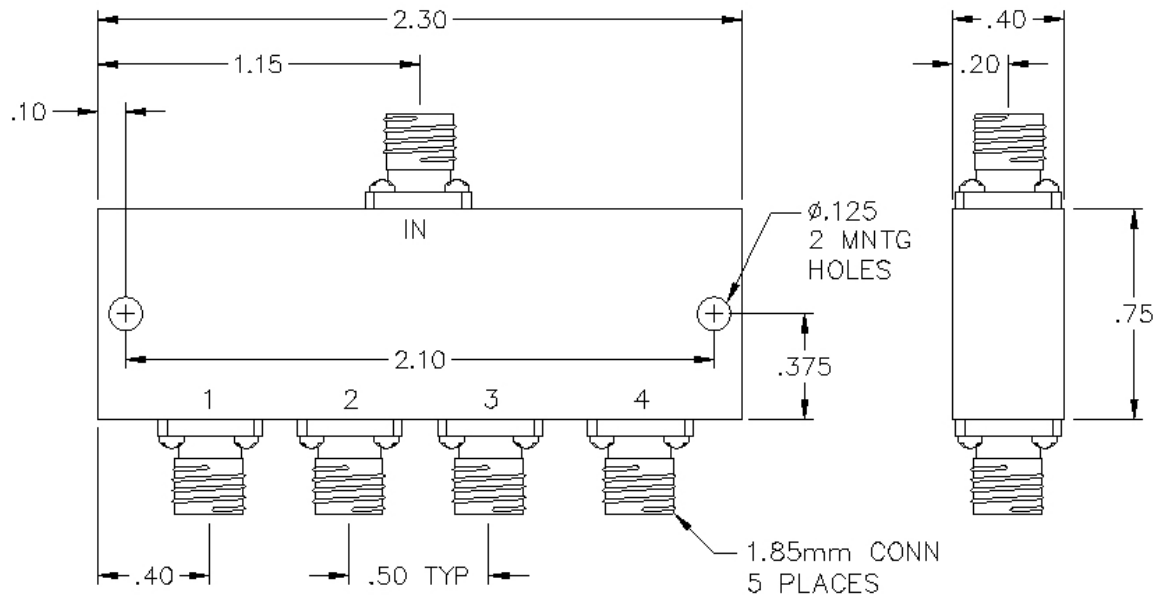


PS4-57-452/13S

4-WAY 1.85MM POWER DIVIDER



SPECIFICATIONS

Name:	PS4-57-452/13S
Frequency Range:	15-60 GHz
Insertion Loss:	5.0 dB max.
Isolation:	10 dB min.
Amplitude Balance:	1.5 dB max.
Phase Balance:	15° max.
VSWR:	2.00:1 max.
Input Power:	10 watts max.
Connector Type:	1.85

Input power is specified for load VSWR better than 1.20:1.
Contact Pulsar for power rating as a combiner.

This is a commercial off the shelf (COTS) product.
For an equivalent product that meets DFARS materials compliance, contact sales.
All specifications are subject to change without notice at any time. Rev: 201202

www.pulsarmicrowave.com · 48 Industrial St West, Clifton NJ 07012 · Tel: 973-779-6262 · Fax: 973-779-2727 · sales@pulsarmicrowave.com

PULSAR
MICROWAVE CORPORATION