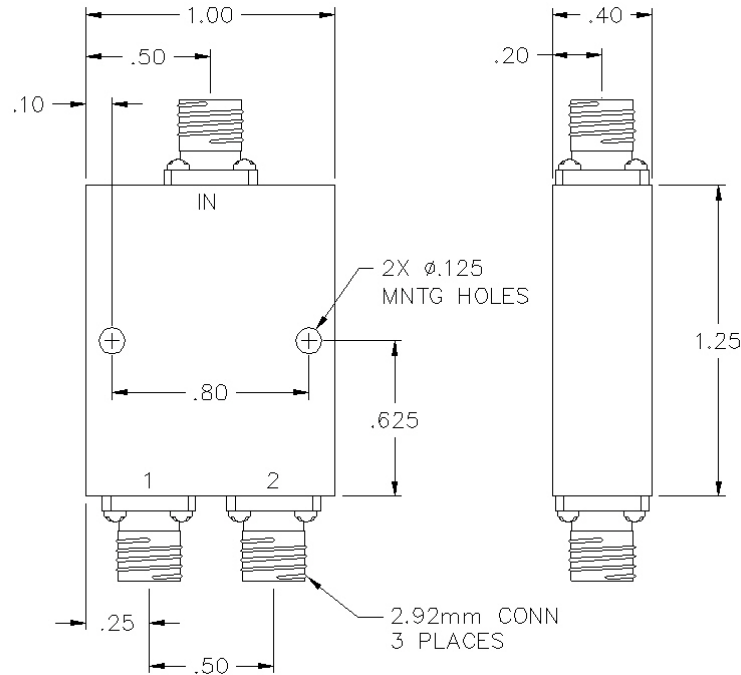


PS2-54-450/18S

2-WAY 2.92MM POWER DIVIDER



SPECIFICATIONS

Name:	PS2-54-450/18S
Frequency Range:	2-40 GHz
Insertion Loss:	2.5 dB max.
Isolation:	13 dB min.
Amplitude Balance:	0.6 dB max.
Phase Balance:	8° max.
VSWR:	1.90:1 max.
Input Power:	10 watts max.
Connector Type:	2.92

Input power is specified for load VSWR better than 1.20:1.
BNC, TNC, and F connectors and other frequency ranges also available, contact sales.
Higher power models available, contact sales.

This is a commercial off the shelf (COTS) product.
For an equivalent product that meets DFARS materials compliance, contact sales.
All specifications are subject to change without notice at any time. Rev: 190326

www.pulsarmicrowave.com · 48 Industrial St West, Clifton NJ 07012 · Tel: 973-779-6262 · Fax: 973-779-2727 · sales@pulsarmicrowave.com

PULSAR
MICROWAVE CORPORATION