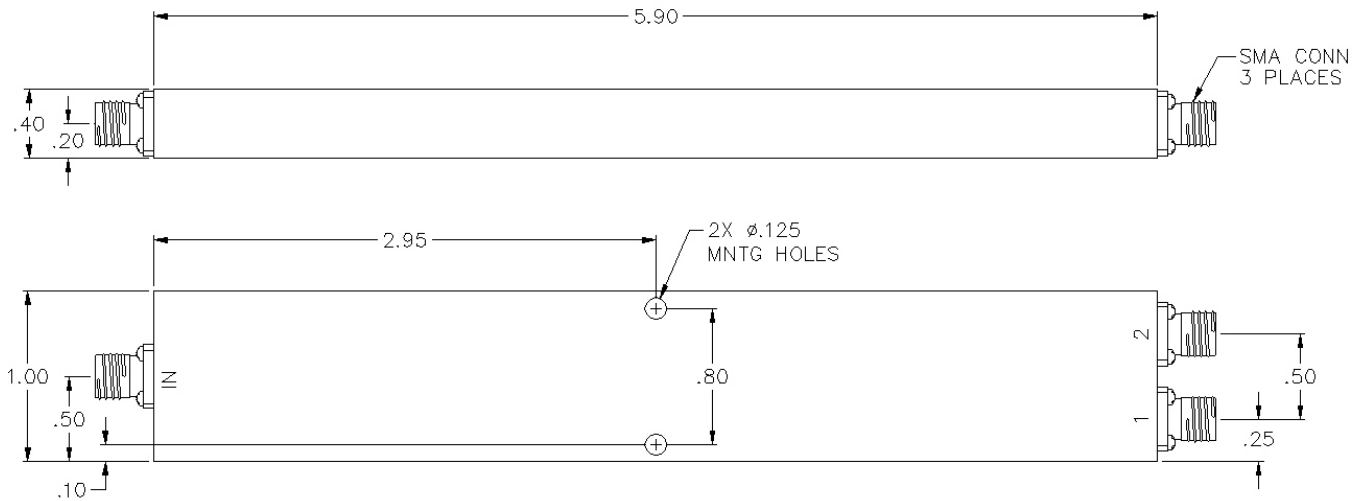


# PS2-24-450/10S

## 2-WAY SMA POWER DIVIDER



## SPECIFICATIONS

Name:	PS2-24-450/10S
Frequency Range:	0.5-20 GHz
Insertion Loss:	2.2 dB max.
Isolation:	12 dB min.
Amplitude Balance:	0.4 dB max.
Phase Balance:	12° max.
VSWR:	1.80:1 max.
Input Power:	30 watts max.
Connector Type:	SMA

Input power is specified for load VSWR better than 1.20:1.  
BNC, TNC, and F connectors and other frequency ranges also available, contact sales.  
Higher power models available, contact sales.

This is a commercial off the shelf (COTS) product.  
For an equivalent product that meets DFARS materials compliance, contact sales.  
All specifications are subject to change without notice at any time. Rev: 190326

