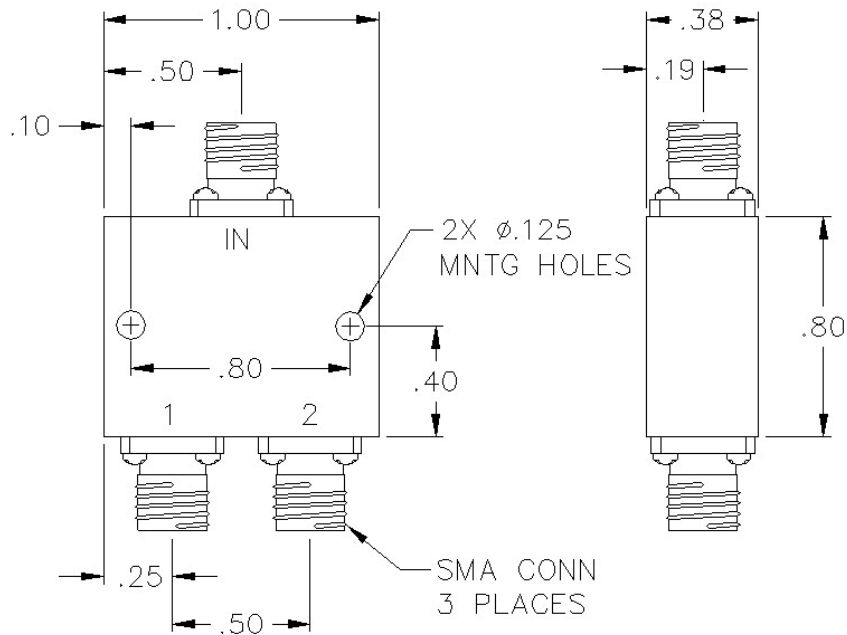


PS2-19-450/8S

2-WAY POWER DIVIDER



SPECIFICATIONS

Name:	PS2-19-450/8S
Frequency Range:	10-15 GHz
Insertion Loss:	0.4 dB max.
Isolation:	20 dB min.
Amplitude Balance:	0.2 dB max.
Phase Balance:	4° max.
VSWR:	1.40:1 max.
Input Power:	30 watts max.
Connector Type:	SMA

Input power is specified for load VSWR better than 1.20:1.
BNC, TNC, and F connectors and other frequency ranges also available, contact sales.
Higher power models available, contact sales.

This is a commercial off the shelf (COTS) product.
For an equivalent product that meets DFARS materials compliance, contact sales.
All specifications are subject to change without notice at any time. Rev: 250614