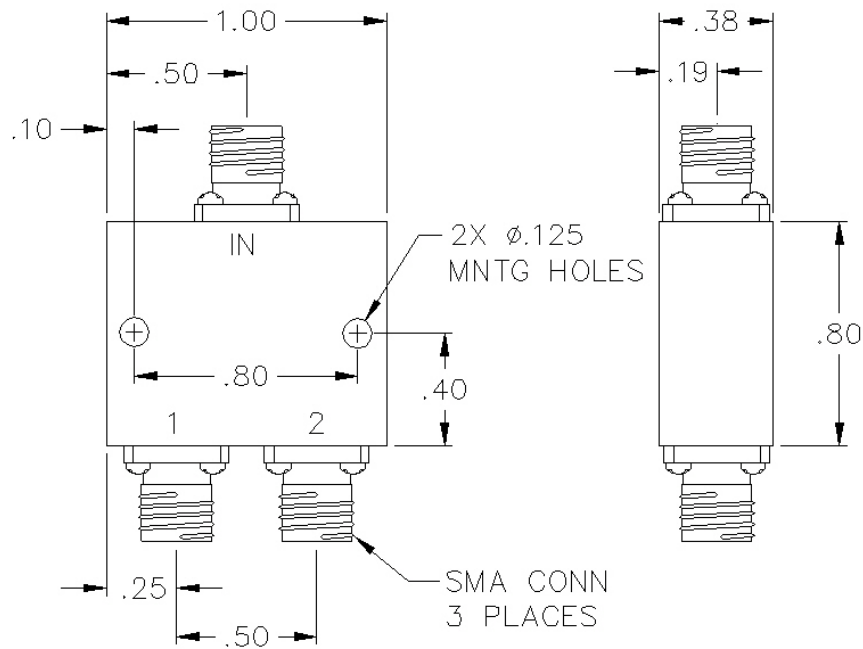


PS2-10-450/8S

2-WAY SMA POWER DIVIDER



SPECIFICATIONS

Name:	PS2-10-450/8S
Frequency Range:	2-4 GHz
Insertion Loss:	0.4 dB max.
Isolation:	20 dB min.
Amplitude Balance:	0.2 dB max.
Phase Balance:	3° max.
VSWR:	1.30:1 max.
Input Power:	30 watts max.
Connector Type:	SMA

Input power is specified for load VSWR better than 1.20:1.
BNC, TNC, and F connectors and other frequency ranges also available, contact sales.
Higher power models available, contact sales.