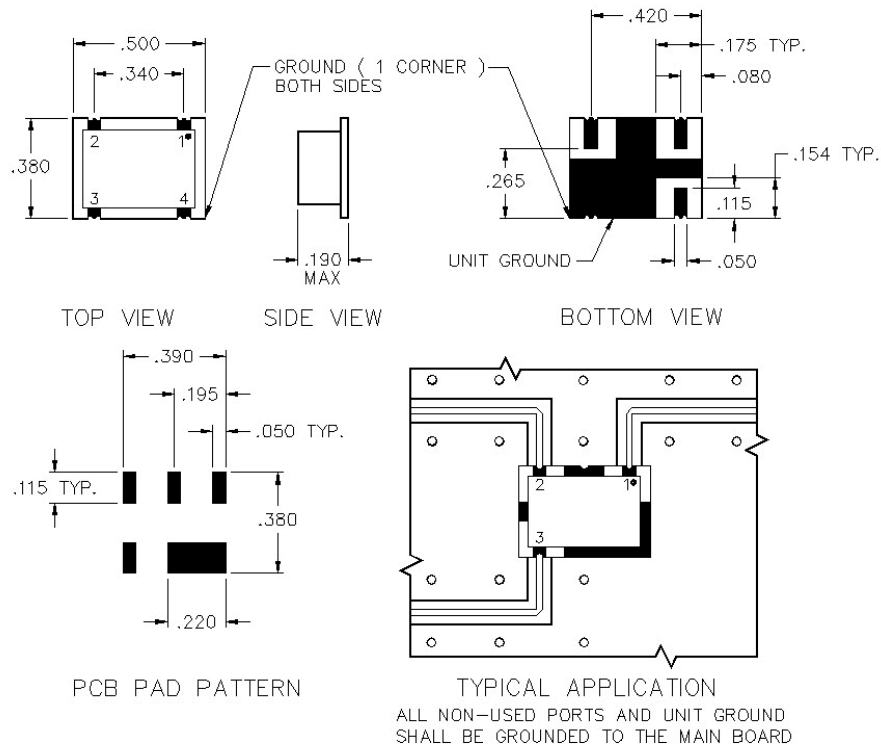


PB-11-G

2-WAY HIGH POWER DIVIDER



SPECIFICATIONS

Name:	PB-11-G
Frequency Range:	1.7-2 GHz
Insertion Loss:	0.7 dB max.
Isolation:	18 dB min.
Amplitude Balance:	0.2 dB max.
Phase Balance:	2° max.
VSWR:	1.40:1 max.
Input Power:	10 watts max.
Package Type:	Surface

PORT CONFIGURATION

Input:	1
Output:	2, 3
Ground:	4

Input power is specified for load VSWR better than 1.20:1.

This is a commercial off the shelf (COTS) product.

For an equivalent product that meets DFARS materials compliance, contact sales.

All specifications are subject to change without notice at any time. Rev: 250614