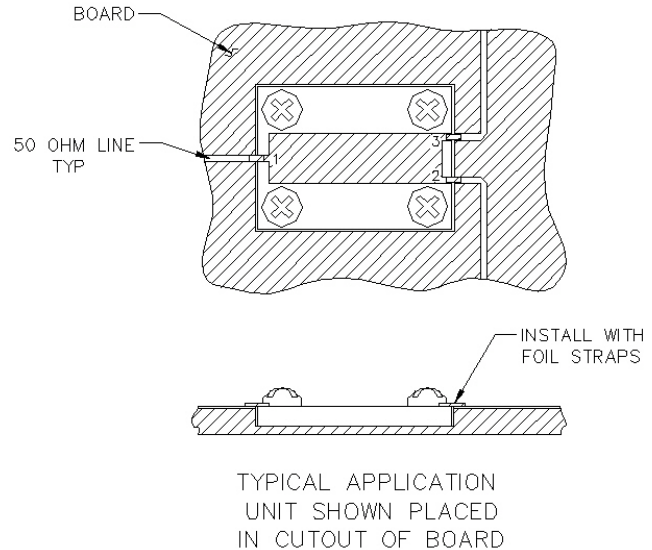
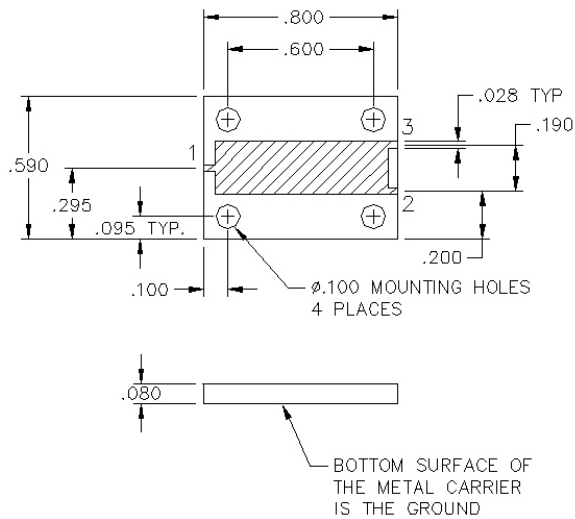


# P2S-05-L1

## 2-WAY DROP-IN HIGH POWER DIVIDER



## SPECIFICATIONS

Name:	P2S-05-L1
Frequency Range:	3-10 GHz
Insertion Loss:	0.5 dB max.
Isolation:	18 dB min.
Amplitude Balance:	0.3 dB max.
Phase Balance:	4° max.
VSWR:	1.50:1 max.
Input Power:	1 watts max.
Package Type:	Drop-In

Input power is specified for load VSWR better than 1.20:1.

## PORT CONFIGURATION

Input:	1
Output:	2, 3
Ground:	Case

This is a commercial off the shelf (COTS) product.  
For an equivalent product that meets DFARS materials compliance, contact sales.  
All specifications are subject to change without notice at any time. Rev: 190404