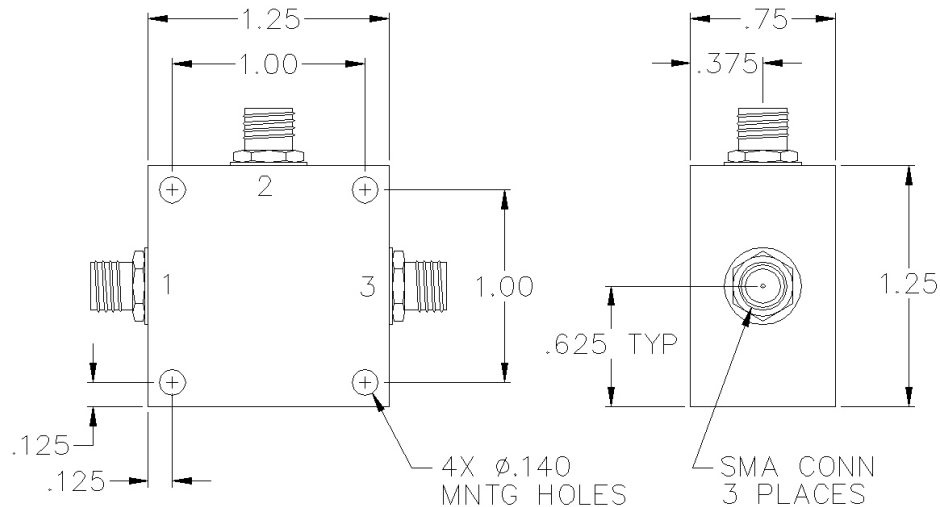


P2-20-411

2-WAY SMA POWER DIVIDER



SPECIFICATIONS

Name:	P2-20-411
Frequency Range:	200-2500 MHz
Insertion Loss:	1.8 dB max.
Isolation:	22 dB min.
Amplitude Balance:	0.4 dB max.
Phase Balance:	6° max.
VSWR:	1.50:1 max.
Input Power:	1 watts max.
Package Type:	SMA

PORT CONFIGURATION

Input:	2
Output:	1, 3

Input power is specified for load VSWR better than 1.20:1.
SMA female connectors standard, also available with BNC, TNC, F, and N connectors.
75 Ohm and higher power models available, contact sales.

This is a commercial off the shelf (COTS) product.
For an equivalent product that meets DFARS materials compliance, contact sales.
All specifications are subject to change without notice at any time. Rev: 220628

