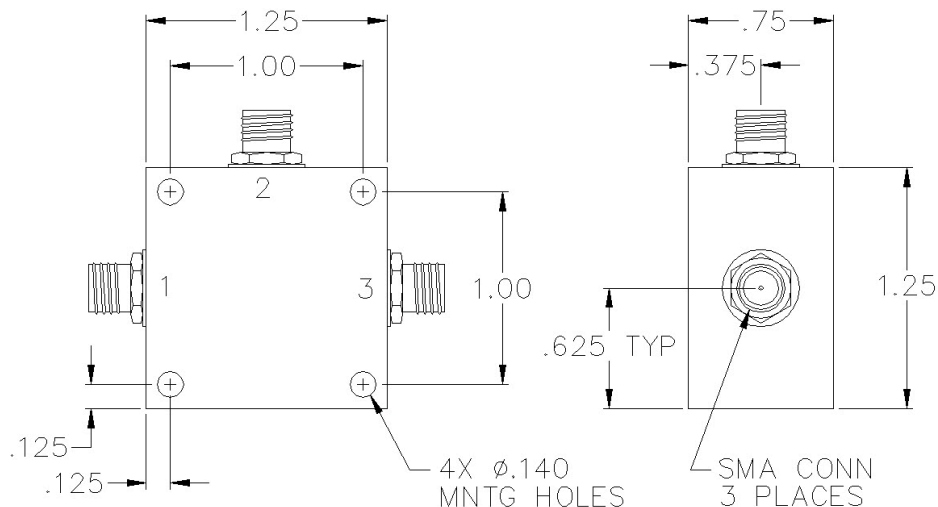


# P2-16-411

## 2-WAY POWER DIVIDER



### SPECIFICATIONS

Name:	P2-16-411
Frequency Range:	50-2000 MHz
Insertion Loss:	1.6 dB max.
Isolation:	23 dB min.
Amplitude Balance:	0.4 dB max.
Phase Balance:	6° max.
VSWR:	1.50:1 max.
Input Power:	1 watts max.
Package Type:	SMA

### PORT CONFIGURATION

Input:	2
Output:	1, 3

Input power is specified for load VSWR better than 1.20:1.  
SMA female connectors standard, also available with BNC, TNC, F, and N connectors.  
75 Ohm and higher power models available, contact sales.

This is a commercial off the shelf (COTS) product.  
For an equivalent product that meets DFARS materials compliance, contact sales.  
All specifications are subject to change without notice at any time. Rev: 250614

