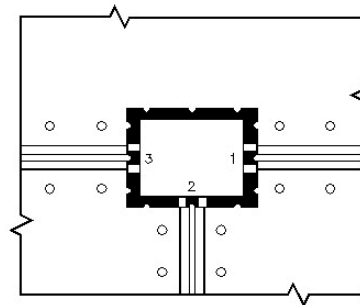
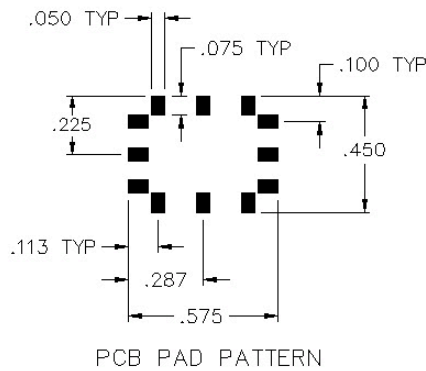
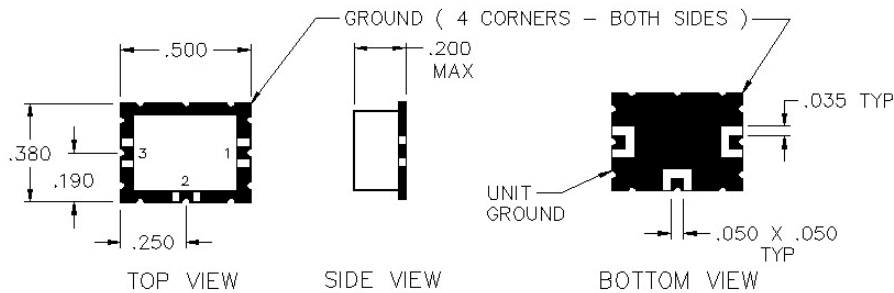


# P2-04-A

## 2-WAY POWER DIVIDER



TYPICAL APPLICATION  
ALL NON-USED PORTS AND UNIT GROUND SHALL BE GROUND TO THE MAIN BOARD

## SPECIFICATIONS

Name:	P2-04-A
Frequency Range:	0.5-300 MHz
Insertion Loss:	0.7 dB max.
Isolation:	20 dB min.
Amplitude Balance:	0.3 dB max.
Phase Balance:	2° max.
VSWR:	1.30:1 max.
Input Power:	1 watts max.
Package Type:	Surface

## PORT CONFIGURATION

Input:	2
Output:	1, 3
Ground:	4 Corners

Input power is specified for load VSWR better than 1.20:1.  
75 Ohm and higher power models available, contact sales.

This is a commercial off the shelf (COTS) product.

For an equivalent product that meets DFARS materials compliance, contact sales.

All specifications are subject to change without notice at any time. Rev: 250614