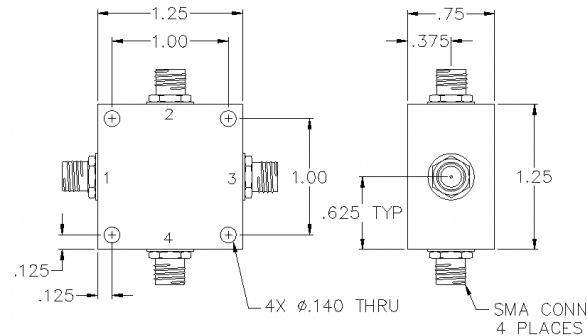


# MT-13-412

## QUADRAPHASE MODULATOR



## SPECIFICATIONS

|                         |             |
|-------------------------|-------------|
| Name:                   | MT-13-412   |
| Frequency Range:        | 935-960 MHz |
| Insertion Loss:         | 8.0 dB max. |
| 1 dB Compression Point: | +4 dBm min. |
| Amplitude Balance:      | 0.8 dB max. |
| Phase Balance:          | 6° max.     |
| VSWR:                   | 1.70:1 max. |
| Package Type:           | SMA         |

Specifications are for a drive current of  $\pm 20$  mA.  
Maximum RF input power is +10 dBm.  
SMA female connectors standard, also available with BNC, TNC, F, and N connectors.  
TTL Control option available, contact sales.

## PORT CONFIGURATION

|         |         |
|---------|---------|
| Input:  | 1       |
| Output: | 3       |
| D1:     | 2       |
| D2:     | 4       |
| Ground: | Housing |

## TRUTH TABLE

| Phase | D1 (mA) | D2 (mA) |
|-------|---------|---------|
| 0°    | +20     | +20     |
| 90°   | +20     | -20     |
| 180°  | -20     | -20     |
| 270°  | -20     | +20     |

This is a commercial off the shelf (COTS) product.

For an equivalent product that meets DFARS materials compliance, contact sales.

All specifications are subject to change without notice at any time. Rev: 220628

www.pulsarmicrowave.com · 48 Industrial St West, Clifton NJ 07012 · Tel: 973-779-6262 · Fax: 973-779-2727 · sales@pulsarmicrowave.com

**PULSAR**  
MICROWAVE CORPORATION