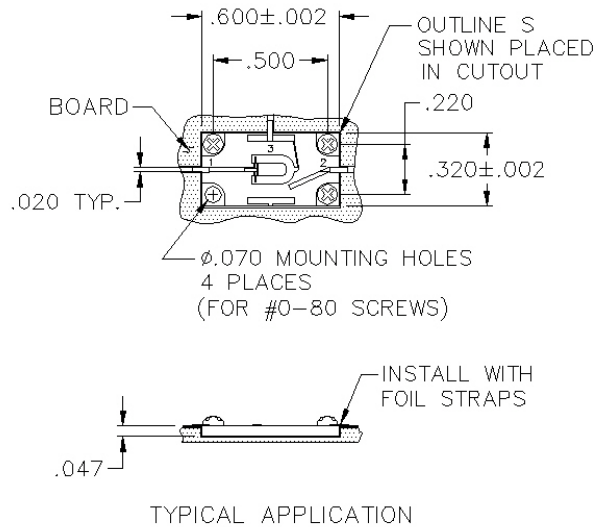


MM-10-S

HIGH FREQUENCY DROP-IN RF MIXER



SPECIFICATIONS

Name:	MM-10-S	
Frequency Range:	2-18 GHz	
LO/RF:	2-18 GHz	
IF:	<u>DC - 1.0</u> GHz	<u>1.0 - 2.0</u> GHz
Conversion Loss:	7.5 dB Typ 10.0 dB Max	8.0 dB Typ 11.0 dB Max
L/R Isolation:	25 dB Typ 20 dB Min	25 dB Typ 20 dB Min
L/I Isolation:	25 dB Typ 20 dB Min	25 dB Typ 20 dB Min
LO Drive:	+10 dBm	
1 dB Compression Point:	+4 dBm typ.	
Package Type:	Drop-In	

PORT CONFIGURATION

RF:	2
LO:	1
IF:	3

This is a commercial off the shelf (COTS) product.
For an equivalent product that meets DFARS materials compliance, contact sales.
All specifications are subject to change without notice at any time. Rev: 190326

