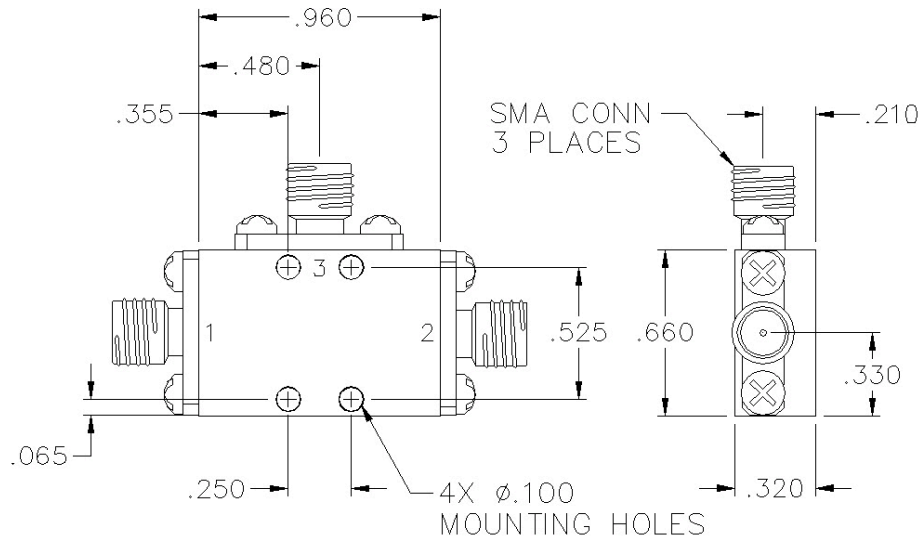


# MM-09-SC

## HIGH FREQUENCY RF MIXER



### SPECIFICATIONS

Name:	MM-09-SC	
Frequency Range:	4-18 GHz	
LO/RF:	4-18 GHz	
IF:	DC - 1.0 GHz	1.0 - 2.0 GHz
Conversion Loss:	6.5 dB Typ 8.0 dB Max	7.0 dB Typ 9.0 dB Max
L/R Isolation:	25 dB Typ 20 dB Min	25 dB Typ 20 dB Min
L/I Isolation:	25 dB Typ 20 dB Min	25 dB Typ 20 dB Min
LO Drive:	+10 dBm	
1 dB Compression Point:	+4 dBm typ.	
Package Type:	SMA	

### PORT CONFIGURATION

RF:	2
LO:	1
IF:	3

This is a commercial off the shelf (COTS) product.

For an equivalent product that meets DFARS materials compliance, contact sales.

All specifications are subject to change without notice at any time. Rev: 250614