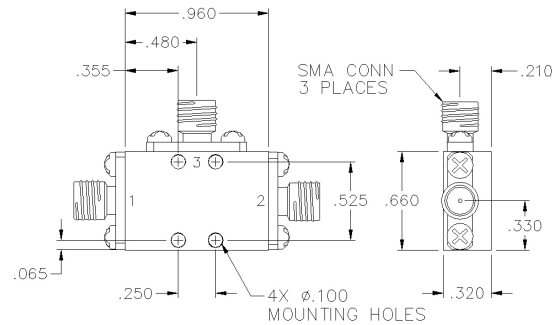


MM-07-SC

HIGH FREQUENCY SMA RF MIXER



SPECIFICATIONS

Name:	MM-07-SC		
Frequency Range:	LO/RF: 2-18 GHz		
	IF: <u>0.005 - 1.0 GHz</u>	<u>1.0 - 2.0 GHz</u>	<u>2.0 - 4.0 GHz</u>
Conversion Loss:	6.5 dB Typ	7.5 dB Typ	8.0 dB Typ
	8.0 dB Max	9.0 dB Max	9.5 dB Max
L/R Isolation:	25 dB Typ	25 dB Typ	25 dB Typ
	12 dB Min	12 dB Min	12 dB Min
L/I Isolation:	30 dB Typ	30 dB Typ	30 dB Typ
	18 dB Min	18 dB Min	18 dB Min
LO Drive:	+17 dBm		
1 dB Compression Point:	+10 dBm typ.		
Package Type:	SMA		

PORT CONFIGURATION

RF:	2
LO:	1
IF:	3

This is a commercial off the shelf (COTS) product.

For an equivalent product that meets DFARS materials compliance, contact sales.

All specifications are subject to change without notice at any time. Rev: 190404