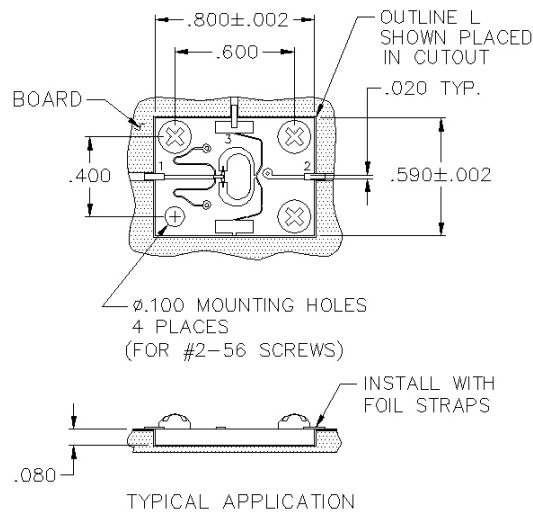


# MM-04-L

## HIGH FREQUENCY DROP-IN RF MIXER



### SPECIFICATIONS

Name:	MM-04-L	
Frequency Range:	2-8 GHz	
LO/RF:	2-8 GHz	
IF:	<u>DC - 1.0</u> GHz	<u>1.0 - 2.0</u> GHz
Conversion Loss:	6.0 dB Typ 6.0 dB Max	5.5 dB Typ 6.5 dB Max
L/R Isolation:	40 dB Typ 35 dB Min	40 dB Typ 35 dB Min
L/I Isolation:	35 dB Typ 30 dB Min	35 dB Typ 30 dB Min
LO Drive:	+10 dBm	
1 dB Compression Point:	+4 dBm typ.	
Package Type:	Drop-In	

### PORT CONFIGURATION

RF:	2
LO:	1
IF:	3

This is a commercial off the shelf (COTS) product.  
For an equivalent product that meets DFARS materials compliance, contact sales.  
All specifications are subject to change without notice at any time. Rev: 190326

