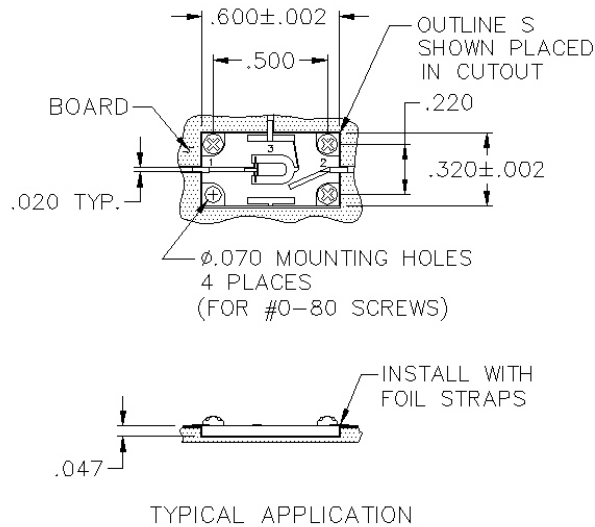


# MM-03-S

## HIGH FREQUENCY DROP-IN RF MIXER



### SPECIFICATIONS

|                         |                          |                          |
|-------------------------|--------------------------|--------------------------|
| Name:                   | MM-03-S                  |                          |
| Frequency Range:        | 3-9 GHz                  |                          |
| LO/RF:                  | 3-9 GHz                  |                          |
| IF:                     | <u>DC - 1.0</u><br>GHz   | <u>1.0 - 2.0</u><br>GHz  |
| Conversion Loss:        | 6.0 dB Typ<br>7.0 dB Max | 6.5 dB Typ<br>7.5 dB Max |
| L/R Isolation:          | 30 dB Typ<br>25 dB Min   | 30 dB Typ<br>25 dB Min   |
| L/I Isolation:          | 25 dB Typ<br>18 dB Min   | 25 dB Typ<br>18 dB Min   |
| LO Drive:               | +10 dBm                  |                          |
| 1 dB Compression Point: | +4 dBm typ.              |                          |
| Package Type:           | Drop-In                  |                          |

### PORT CONFIGURATION

|     |   |
|-----|---|
| RF: | 2 |
| LO: | 1 |
| IF: | 3 |

This is a commercial off the shelf (COTS) product.  
For an equivalent product that meets DFARS materials compliance, contact sales.  
All specifications are subject to change without notice at any time. Rev: 190326

