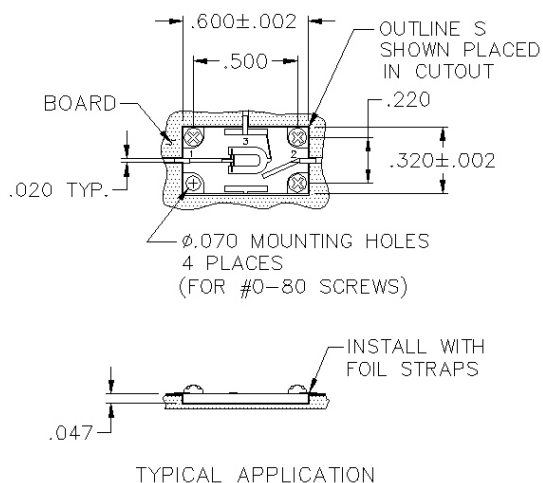


ML-07-S

HIGH FREQUENCY DROP-IN RF MIXER



SPECIFICATIONS

| | |
|-------------------------|----------------------------|
| Name: | ML-07-S |
| Frequency Range: | |
| LO/RF: | 2-18 GHz |
| IF: | 0.005-4.0 GHz |
| LO Drive: | +10 dBm |
| Conversion Loss: | 8.0 dB typ. 9.5 dB max. |
| 1 dB Compression Point: | +4 dBm typ. |
| L/R Isolation: | 25 dB typ. 12 dB min. |
| L/I Isolation: | 30 dB typ. 18 dB min. |
| Package Type: | Drop-In |

PORT CONFIGURATION

| | |
|-----|---|
| RF: | 2 |
| LO: | 1 |
| IF: | 3 |

This is a commercial off the shelf (COTS) product.
For an equivalent product that meets DFARS materials compliance, contact sales.
All specifications are subject to change without notice at any time. Rev: 190326

