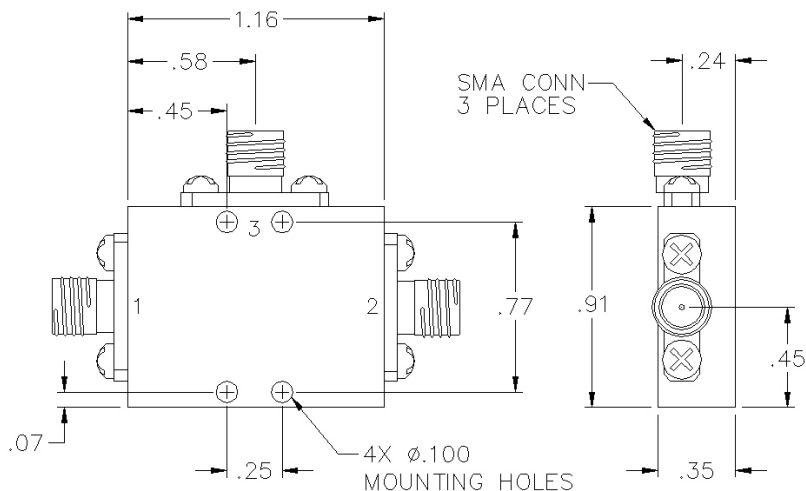


ML-04-LC

HIGH FREQUENCY SMA RF MIXER



SPECIFICATIONS

Name:	ML-04-LC
Frequency Range:	
LO/RF:	2-8 GHz
IF:	DC-2.0 GHz
LO Drive:	+7 dBm
Conversion Loss:	
	6.0 dB typ.
	6.5 dB max.
1 dB Compression Point:	+1 dBm typ.
L/R Isolation:	
	40 dB typ.
	35 dB min.
L/I Isolation:	
	35 dB typ.
	30 dB min.
Package Type:	SMA

Dimensions are in inches. Decimal tolerance: 2 Place: $\pm .02$, 3 Place: $\pm .010$
All specifications are subject to change without notice at any time. Rev: 190404

www.pulsarmicrowave.com · 48 Industrial St West, Clifton NJ 07012 · Tel: 973-779-6262 · Fax: 973-779-2727 · sales@pulsarmicrowave.com

PULSAR
MICROWAVE CORPORATION