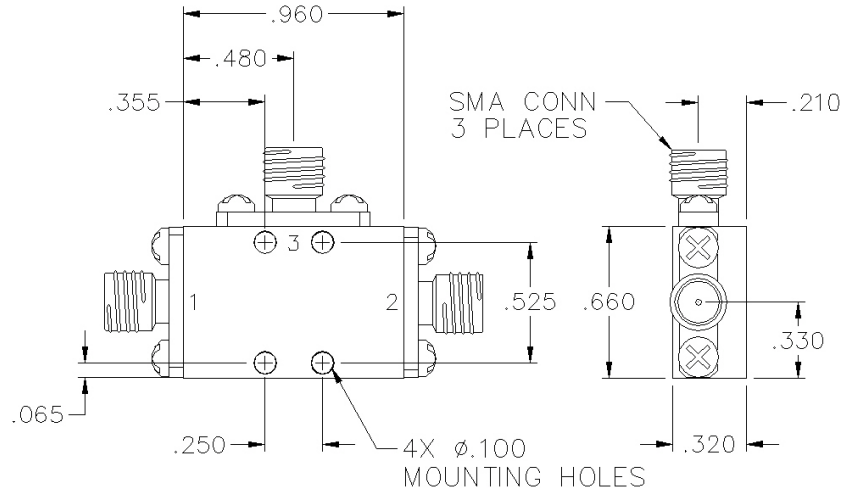


# MH-09-SC

## HIGH FREQUENCY SMA RF MIXER



### SPECIFICATIONS

|                         |                            |
|-------------------------|----------------------------|
| Name:                   | MH-09-SC                   |
| Frequency Range:        |                            |
| LO/RF:                  | 4-18 GHz                   |
| IF:                     | DC-2.0 GHz                 |
| LO Drive:               | +17 dBm                    |
| Conversion Loss:        | 7.0 dB typ.<br>9.0 dB max. |
| 1 dB Compression Point: | +10 dBm typ.               |
| L/R Isolation:          | 25 dB typ.<br>20 dB min.   |
| L/I Isolation:          | 25 dB typ.<br>20 dB min.   |
| Package Type:           | SMA                        |

### PORT CONFIGURATION

|     |   |
|-----|---|
| RF: | 2 |
| LO: | 1 |
| IF: | 3 |

This is a commercial off the shelf (COTS) product.  
For an equivalent product that meets DFARS materials compliance, contact sales.  
All specifications are subject to change without notice at any time. Rev: 190404