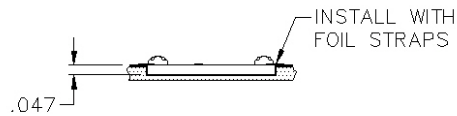
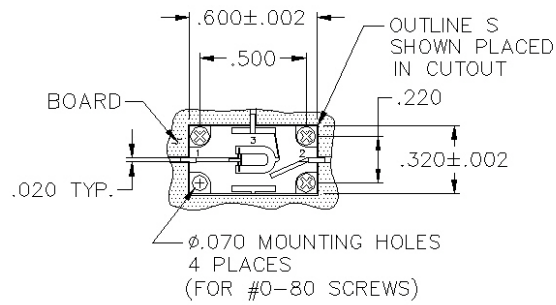


MH-01-S

HIGH FREQUENCY DROP-IN RF MIXER



TYPICAL APPLICATION

SPECIFICATIONS

Name:	MH-01-S
Frequency Range:	
LO/RF:	6-18 GHz
IF:	DC-2.0 GHz
LO Drive:	+17 dBm
Conversion Loss:	6.5 dB typ. 8.0 dB max.
1 dB Compression Point:	+10 dBm typ.
L/R Isolation:	25 dB typ. 20 dB min.
L/I Isolation:	20 dB typ. 20 dB min.
Package Type:	Drop-In

PORT CONFIGURATION

RF:	2
LO:	1
IF:	3