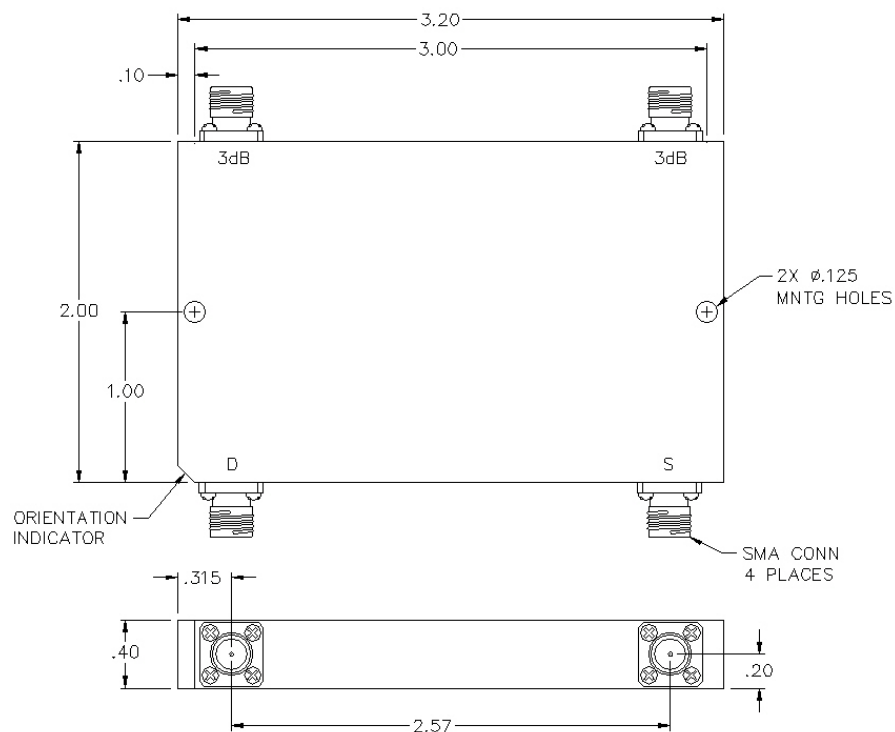
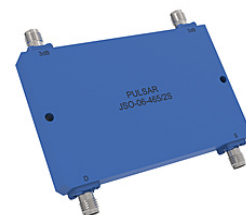


JSO-06-465/2S

4 PORT 3 DB SMA 180° HYBRID COUPLER



SPECIFICATIONS

Name:	JSO-06-465/2S
Frequency Range:	0.5-1 GHz
Insertion Loss:	0.5 dB max.
Isolation A-B:	22 dB min.
Power Rating:	80 watts max.
Amplitude Balance:	±0.4 dB max.
Phase Balance:	±8° max.
VSWR:	1.30:1 max.
Connector Type:	SMA

This is a commercial off the shelf (COTS) product.

For an equivalent product that meets DFARS materials compliance, contact sales.

All specifications are subject to change without notice at any time. Rev: 190326

www.pulsarmicrowave.com · 48 Industrial St West, Clifton NJ 07012 · Tel: 973-779-6262 · Fax: 973-779-2727 · sales@pulsarmicrowave.com

PULSAR
MICROWAVE CORPORATION