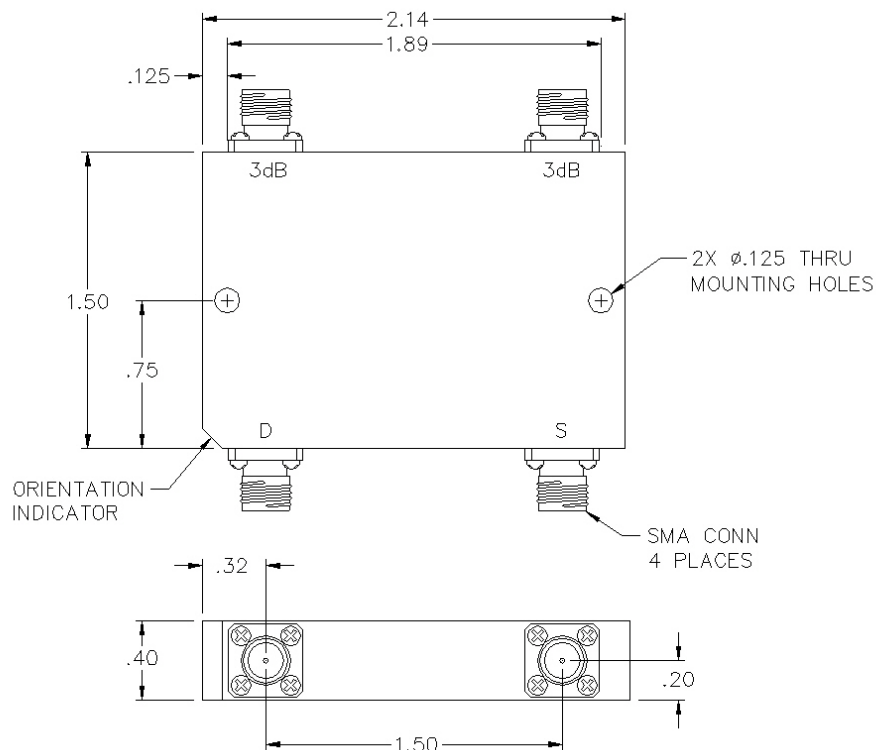


JSO-01-465/3S

4 PORT 3 DB SMA 180° HYBRID COUPLER



SPECIFICATIONS

| | |
|--------------------|---------------|
| Name: | JSO-01-465/3S |
| Frequency Range: | 1-2 GHz |
| Insertion Loss: | 0.6 dB max. |
| Isolation A-B: | 22 dB min. |
| Power Rating: | 80 watts max. |
| Amplitude Balance: | ±0.5 dB max. |
| Phase Balance: | ±8° max. |
| VSWR: | 1.40:1 max. |
| Connector Type: | SMA |

This is a commercial off the shelf (COTS) product.

For an equivalent product that meets DFARS materials compliance, contact sales.

All specifications are subject to change without notice at any time. Rev: 190326