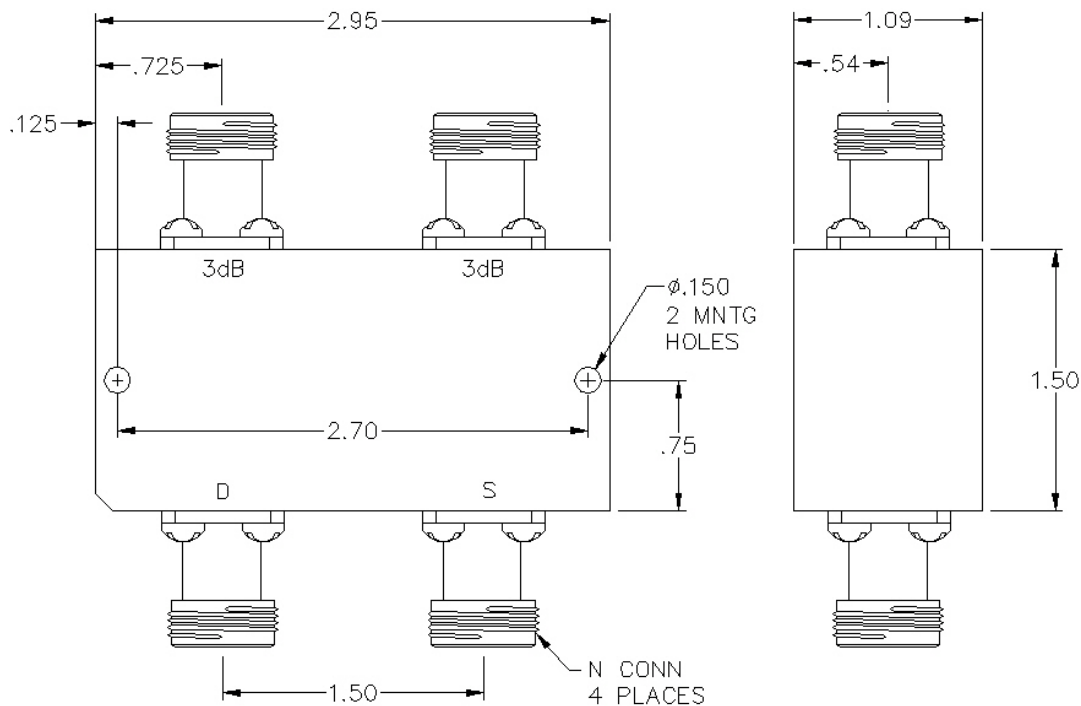


JSF-08-465-3N

4 PORT 3 DB TYPE N 180° HYBRID COUPLER



SPECIFICATIONS

Name:	JSF-08-465-3N
Frequency Range:	1.03-1.09 GHz
Insertion Loss:	0.3 dB max.
Isolation A-B:	20 dB min.
Power Rating:	50 watts max.
Amplitude Balance:	± 0.4 dB max.
Phase Balance:	$\pm 3^\circ$ max.
VSWR:	1.30:1 max.
Connector Type:	N

This is a commercial off the shelf (COTS) product.
For an equivalent product that meets DFARS materials compliance, contact sales.
All specifications are subject to change without notice at any time. Rev: 190326

