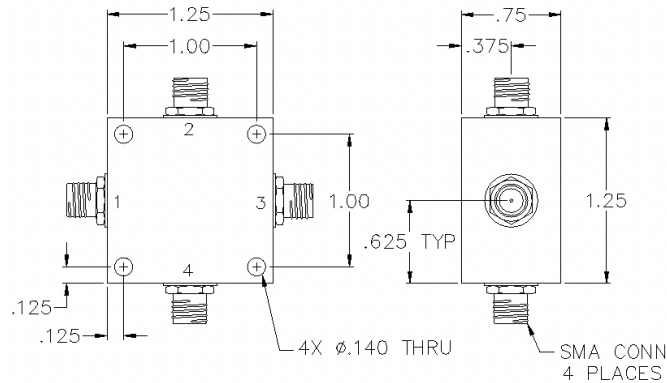


# ID-16-412

## QUADRATURE I.F. MIXER (DEMODULATOR)



### SPECIFICATIONS

Name:	ID-16-412
Carrier (LO) Frequency:	1805-1880 MHz
RF Frequency:	LO $\pm$ 50 MHz
IQ Frequency:	DC-50 MHz
Conversion Loss:	12 dB max.
Amplitude Balance:	1.0 dB max.
Phase Balance:	7° max.
Isolation:	
L/R:	30 dB min.
L/I:	25 dB min.
VSWR:	1.8:1 min.
Connector Type:	SMA

### PORT CONFIGURATION

RF:	3
LO:	1
I:	2
Q:	4
Ground:	Housing

Specifications apply when operating LO power level is  $+10 \pm 0.5$  dBm and operating RF power level is  $-10 \pm 0.5$  dBm.

IF Frequency (Q) is  $+90^\circ$  relative to IF frequency (I) when RF frequency is  $>$  LO frequency. SMA female connectors standard, also available with BNC, TNC, F, and N connectors.

This is a commercial off the shelf (COTS) product.

For an equivalent product that meets DFARS materials compliance, contact sales.

All specifications are subject to change without notice at any time. Rev: 220628

www.pulsarmicrowave.com · 48 Industrial St West, Clifton NJ 07012 · Tel: 973-779-6262 · Fax: 973-779-2727 · sales@pulsarmicrowave.com

**PULSAR**  
MICROWAVE CORPORATION