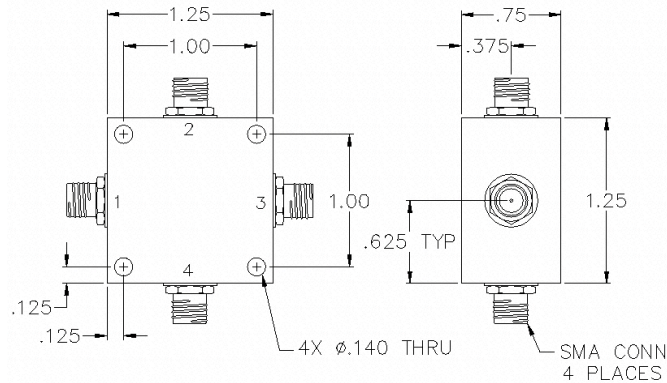


# ID-02-412

## QUADRATURE I.F. MIXER (DEMODULATOR)



### SPECIFICATIONS

Name:	ID-02-412
Carrier (LO) Frequency:	20.3-22.4 MHz
RF Frequency:	LO $\pm$ 5 MHz
IQ Frequency:	DC-5 MHz
Conversion Loss:	10 dB max.
Amplitude Balance:	0.4 dB max.
Phase Balance:	2° max.
Isolation:	
L/R:	40 dB min.
L/I:	35 dB min.
VSWR:	1.5:1 min.
Connector Type:	SMA

### PORT CONFIGURATION

RF:	3
LO:	1
I:	2
Q:	4
Ground:	Housing

Specifications apply when operating LO power level is  $+10 \pm 0.5$  dBm and operating RF power level is  $-10 \pm 0.5$  dBm.  
IF Frequency (Q) is  $+90^\circ$  relative to IF frequency (I) when RF frequency is  $>$  LO frequency.  
SMA female connectors standard, also available with BNC, TNC, F, and N connectors.

This is a commercial off the shelf (COTS) product.  
For an equivalent product that meets DFARS materials compliance, contact sales.  
All specifications are subject to change without notice at any time. Rev: 250614

