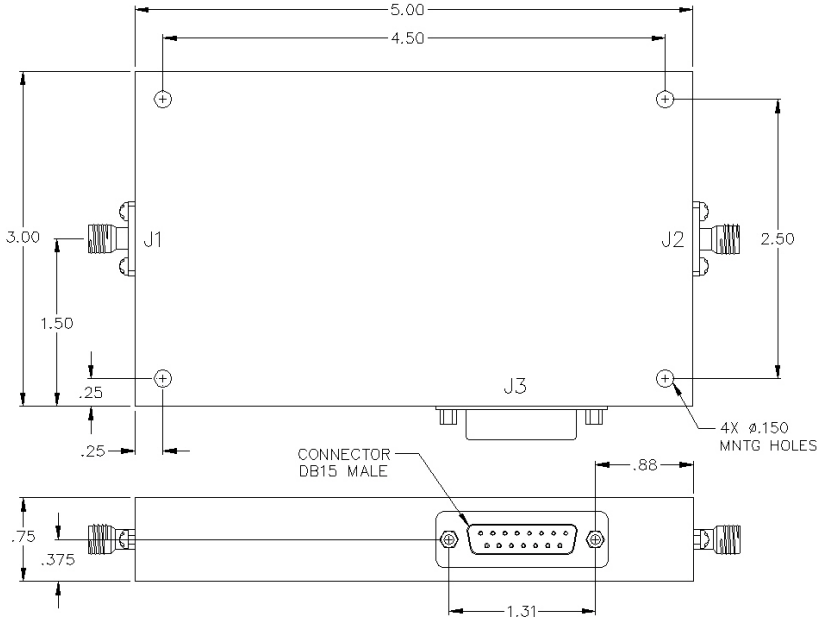


DAT-15-480/1S

DIGITAL STEP ATTENUATOR



Offset of Mean Attenuation (dB)		Flatness (dB)	
±0.5	0-16	±0.5	0-16
±0.8	17-32	±0.6	17-32
±1.5	32-64	±1.2	32-64

Logic Table

State	Pin 1	Pin 2	Pin 3	Pin 4	Pin 5	Pin 6	Pin 7	Pin 8	Att. 64 dB
-	0	0	0	0	0	0	0	0	0 dB
1	1	0	0	0	0	0	0	0	0.25 dB
2	0	1	0	0	0	0	0	0	0.50 dB
3	0	0	1	0	0	0	0	0	1.0 dB
4	0	0	0	1	0	0	0	0	2.0 dB
5	0	0	0	0	1	0	0	0	4.0 dB
6	0	0	0	0	0	1	0	0	8.0 dB
7	0	0	0	0	0	0	1	0	16.0 dB
8	0	0	0	0	0	0	0	1	32.0 dB

A combination of the above states will provide an attenuation equal to the sum of the selected states.

SPECIFICATIONS

Name: DAT-15-480/1S
Frequency Range: 0.25-0.5 GHz
Attenuation Range: 64 dB
Number of Bits: 8
Insertion Loss: 3.5 dB max.
VSWR: 2.00:1 dB max.
Least Significant Bit: 0.250 LSB
Connector Type: SMA
Operating Power: +20 dBm/100 mw max.
Power Handling: +30 dBm max.
Switching Time: 600 nsec typical.
Control Logic: TTL
Power supply: ±5 Vdc @ ±300 mA, Typical
Operating Temperature: -25°C to +80°C

RF Connectors: SMA Female
Bi-directional: Either SMA connector can be used as input.

Pin-Out



Pin 01 = Bit 1 (LSB) Pin 09 = N/C
 Pin 02 = Bit 2 Pin 10 = N/C
 Pin 03 = Bit 3 Pin 11 = N/C
 Pin 04 = Bit 4 Pin 12 = N/C
 Pin 05 = Bit 5 Pin 13 = +5 Vdc
 Pin 06 = Bit 6 Pin 14 = -5 Vdc
 Pin 07 = Bit 7 Pin 15 = Ground
 Pin 08 = Bit 8

This is a commercial off the shelf (COTS) product.
 For an equivalent product that meets DFARS materials compliance, contact sales.
 All specifications are subject to change without notice at any time. Rev: 180403