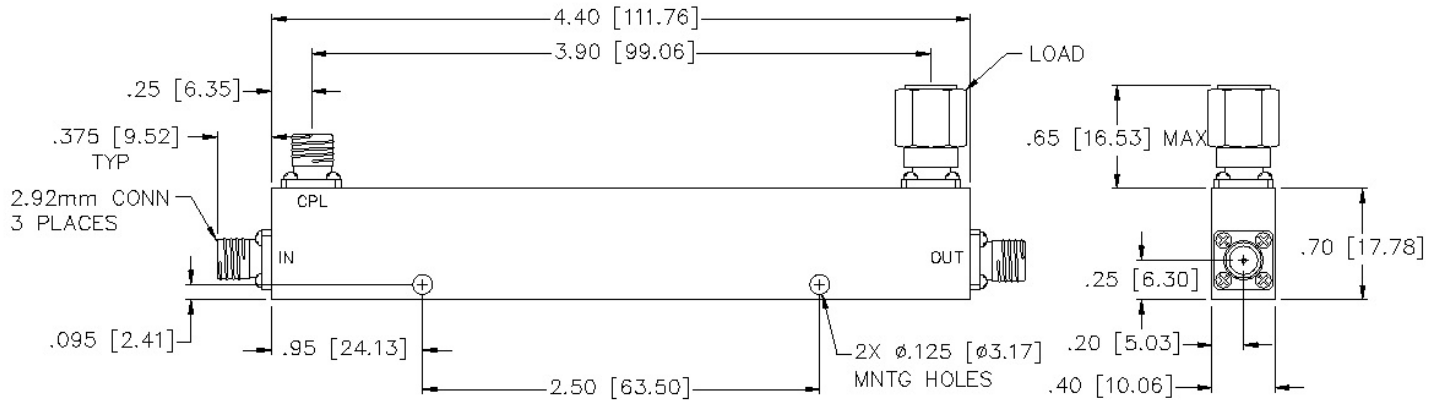


CS10-57-436/20

10 DB 2.92MM DIRECTIONAL COUPLER



SPECIFICATIONS

| | |
|--------------------|----------------|
| Name: | CS10-57-436/20 |
| Frequency Range: | 0.5-40 GHz |
| Coupling: | 10.0 ± 1.00 dB |
| Coupling Flatness: | ±1.50 dB max. |
| Insertion Loss: | 2.50 dB max. |
| Directivity: | 13 dB min. |
| VSWR: | 1.60:1 max. |
| Input Power: | 20 watts max. |
| Reflected Power: | 10 watts max. |
| Connector Type: | 2.92 |

Insertion loss does not include coupling loss.
Input power is specified for load VSWR better than 1.20:1.

This is a commercial off the shelf (COTS) product.
For an equivalent product that meets DFARS materials compliance, contact sales.
All specifications are subject to change without notice at any time. Rev: 201202

