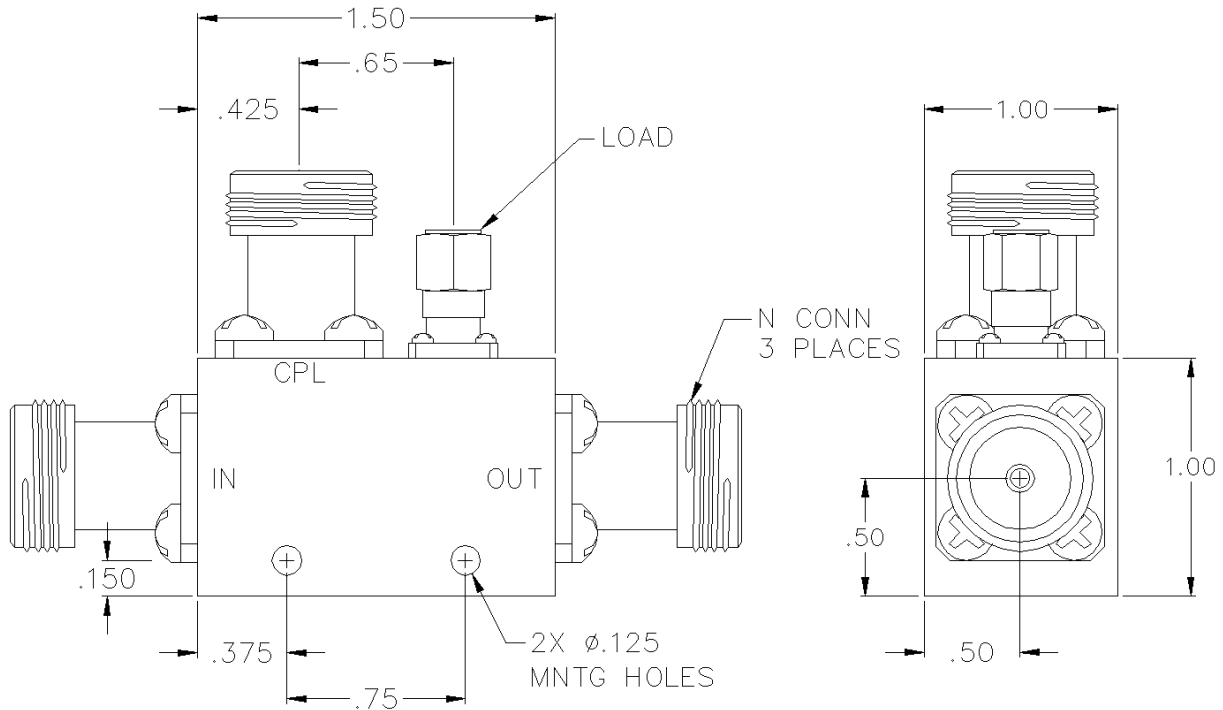


CS10-14-436/11N

10 DB TYPE N DIRECTIONAL COUPLER



SPECIFICATIONS

| | |
|--------------------|-----------------|
| Name: | CS10-14-436/11N |
| Frequency Range: | 4-12.4 GHz |
| Coupling: | 10.0 ± 1.00 dB |
| Coupling Flatness: | ±0.30 dB max. |
| Insertion Loss: | 0.50 dB max. |
| Directivity: | 15 dB min. |
| VSWR: | 1.30:1 max. |
| Input Power: | 50 watts max. |
| Reflected Power: | 10 watts max. |
| Connector Type: | N |

Insertion loss does not include coupling loss.
Input power is specified for load VSWR better than 1.20:1.

This is a commercial off the shelf (COTS) product.
For an equivalent product that meets DFARS materials compliance, contact sales.
All specifications are subject to change without notice at any time. Rev: 170130

